

# **ID-120**

## **(Gas/HSI & Steam)**

# **Installation Manual**

**WARNING:** For your safety the information in this manual must be followed to minimize the risk of fire or explosion or to prevent property damage, personal injury or death.

— Do not store or use gasoline or other flammable vapor and liquids in the vicinity of this or any other appliance.

— **WHAT DO YOU DO IF YOU SMELL GAS**

- \* Do not try to light any appliance.
- \* Do not touch any electrical switch; do not use any phone in your building.
- \* Clear the room, building or area of all occupants.
- \* Immediately call your gas supplier from a neighbor's phone. Follow the gas supplier's instructions.
- \* If you cannot reach your gas supplier, call the fire department.

— Installation and service must be performed by a qualified installer, service agency or the gas supplier.

**AVERTISSEMENT:** Assurez-vous de bien suivre les instructions données dans cette notice pour réduire au minimum le risque d'incendie ou d'explosion ou pour éviter tout dommage matériel, toute blessure ou la mort.

— Ne pas entreposer ni utiliser d'essence ni d'autres vapeurs ou liquides inflammables dans le voisinage de cet appareil ou de tout autre appareil.

— **QUE FAIRE SI VOUS SENTEZ UNE ODEUR DE GAZ:**

- \* Ne pas tenter d'allumer d'appareil.
- \* Ne touchez à aucun interrupteur. Ne pas vous servir des téléphones se trouvant dans le bâtiment où vous vous trouvez.
- \* Évacuez la pièce, le bâtiment ou la zone.
- \* Appelez immédiatement votre fournisseur de gaz depuis un voisin. Suivez les instructions du fournisseur.
- \* Si vous ne pouvez rejoindre le fournisseur de gaz, appelez le service des incendies.

— L'installation et l'entretien doivent être assurés par un installateur ou un service d'entretien qualifié ou par le fournisseur de gaz.



For replacement parts, contact the reseller from which the dryer was purchased or

**American Dryer Corporation**

88 Currant Road

Fall River MA 02720-4781

Telephone: (508) 678-9000 / Fax: (508) 678-9447

E-mail: [techsupport@amdry.com](mailto:techsupport@amdry.com)

[www.amdry.com](http://www.amdry.com)

# Retain This Manual In A Safe Place For Future Reference

American Dryer Corporation products embody advanced concepts in engineering, design, and safety. If this product is properly maintained, it will provide many years of safe, efficient, and trouble-free operation.

*ONLY qualified technicians should service this equipment.*

**OBSERVE ALL SAFETY PRECAUTIONS** displayed on the equipment or specified in the installation manual included with the dryer.

The following “**FOR YOUR SAFETY**” caution **must be** posted near the dryer in a prominent location.

**FOR YOUR SAFETY**

Do not store or use gasoline or other flammable vapors or liquids in the vicinity of this or any other appliance.

**POUR VOTRE SÉCURITÉ**

Ne pas entreposer ni utiliser d'essence ni d'autres vapeurs ou liquides inflammables dans le voisinage de cet appareil ou de tout autre appareil.

We have tried to make this manual as complete as possible and hope you will find it useful. **ADC** reserves the right to make changes from time to time, without notice or obligation, in prices, specifications, colors, and material, and to change or discontinue models. The illustrations included in this manual may not depict your particular dryer exactly.

## Important

For your convenience, log the following information:

**DATE OF PURCHASE** \_\_\_\_\_ **MODEL NO.** \_\_\_\_\_ **ID-120**

**RESELLER'S NAME** \_\_\_\_\_

**Serial Number(s)** \_\_\_\_\_

\_\_\_\_\_

\_\_\_\_\_

Replacement parts can be obtained from your reseller or the **ADC** factory. When ordering replacement parts from the factory, you can FAX your order to **ADC** at (508) 678-9447 or telephone your order directly to the **ADC** Parts Department at (508) 678-9000. Please specify the dryer **model number** and **serial number** in addition to the **description** and **part number**, so that your order is processed accurately and promptly.

**“IMPORTANT NOTE TO PURCHASER”**

Information **must be** obtained from your local gas supplier on the instructions to be followed if the user smells gas. These instructions **must be** posted in a prominent location near the dryer.

## **IMPORTANT**

**YOU MUST DISCONNECT AND LOCKOUT THE ELECTRIC SUPPLY AND THE GAS SUPPLY OR THE STEAM SUPPLY BEFORE ANY COVERS OR GUARDS ARE REMOVED FROM THE MACHINE TO ALLOW ACCESS FOR CLEANING, ADJUSTING, INSTALLATION, OR TESTING OF ANY EQUIPMENT PER OSHA (Occupational Safety and Health Administration) STANDARDS.**

“Caution: Label all wires prior to disconnection when servicing controls. Wiring errors can cause improper operation.”

«Attention: Lor des opérations d’entretien des commandes étiqueter tous fils avant de les déconnecter. Toute erreur de câblage peut être une source de danger et de panne.»

## **CAUTION**

**DRYERS SHOULD NEVER BE LEFT UNATTENDED WHILE IN OPERATION.**

## **WARNING**

**CHILDREN SHOULD NOT BE ALLOWED TO PLAY ON OR NEAR THE DRYER(S).  
CHILDREN SHOULD BE SUPERVISED IF NEAR DRYERS IN OPERATION.**

## **FOR YOUR SAFETY**

**DO NOT DRY MOP HEADS IN THE DRYER.**

**DO NOT USE DRYER IN THE PRESENCE OF DRY CLEANING FUMES.**

## **WARNING**

**UNDER NO CIRCUMSTANCES should the door switch, lint drawer switch, or the heat circuit devices ever be disabled.**

## **WARNING**

The dryer *must never be* operated with any of the back guards, outer tops, or service panels removed. PERSONAL INJURY OR FIRE COULD RESULT.

## **WARNING**

DRYER ***MUST NEVER BE*** OPERATED WITHOUT THE LINT FILTER/SCREEN IN PLACE, EVEN IF AN EXTERNAL LINT COLLECTION SYSTEM IS USED.

## **IMPORTANT**

PLEASE OBSERVE **ALL** SAFETY PRECAUTIONS displayed on the equipment and/or specified in the installation manual included with the dryer.

Dryers *must not be* installed or stored in an area where it **will be** exposed to water or weather.

The wiring diagram for the dryer is located in the front electrical control box area.

# ***Table of Contents***

## **SECTION I**

<b>IMPORTANT INFORMATION .....</b>	<b>3</b>
A. Receiving and Handling .....	3
B. Safety Precautions .....	4

## **SECTION II**

<b>SPECIFICATIONS/COMPONENT IDENTIFICATION .....</b>	<b>6</b>
A. Specifications (Gas and Steam) .....	6
B. Component Identification .....	8

## **SECTION III**

<b>INSTALLATION PROCEDURES .....</b>	<b>10</b>
A. Location Requirements .....	10
B. Unpacking/Setting Up .....	11
C. Dryer Enclosure Requirements .....	13
D. Fresh Air Supply Requirements .....	14
E. Exhaust Requirements .....	15
F. Electrical Information .....	20
G. Gas Information .....	23
H. Steam Information .....	27
I. Compressed Air .....	31
J. Preparation For Operation/Start-Up .....	31
K. Preoperational Tests .....	32
L. Operating Instructions .....	35
M. Shut Down Instructions .....	36

## **SECTION IV**

<b>SERVICE/PARTS INFORMATION .....</b>	<b>37</b>
A. Service .....	37
B. Parts .....	37

## **SECTION V**

<b>WARRANTY INFORMATION.....</b>	<b>38</b>
A. Returning Warranty Cards .....	38
B. Warranty .....	38
C. Returning Warranty Parts .....	38

**SECTION VI**  
**ROUTINE MAINTENANCE ..... 40**  
    A. Cleaning ..... 40  
    B. Adjustments ..... 42  
    C. Lubrication ..... 42

**SECTION VII**  
**REVERSING TIMER SPIN/DWELL ADJUSTMENTS..... 43**

**SECTION VIII**  
**PROCEDURE FOR FUNCTIONAL CHECK OF REPLACEMENT**  
**COMPONENTS ..... 44**

**SECTION IX**  
**DATA LABEL INFORMATION ..... 46**  
    A. Data Label ..... 46

**SECTION X**  
**BURNER AND BASKET (TUMBLER)/LINT CHAMBER MANUAL RESET**  
**HI-LIMIT INSTRUCTIONS ..... 48**

# SECTION I

## IMPORTANT INFORMATION

### A. RECEIVING AND HANDLING

The dryer is shipped in a protective stretch wrap cover with protective cardboard corners and top cover (or optional box) as a means of preventing damage in transit. Upon delivery, the dryer and/or packaging, and wooden skid **should be** visually inspected for shipping damage. If any damage whatsoever is noticed, inspect further before delivering carrier leaves.

Dryers damaged in shipment:

1. **ALL** dryers **should be** inspected upon receipt and before they are signed for.
2. If there is suspected damage or actual damage, the trucker's receipt **should be** so noted.
3. If the dryer is damaged beyond repair, it **should be** refused. Those dryers, which were not damaged in a damaged shipment, **should be** accepted, but the number received and the number refused **must be** noted on the receipt.
4. If you determine that the dryer was damaged after the trucker has left your location, you should call the delivering carrier's freight terminal immediately and file a claim. The freight company considers this concealed damage. This type of freight claim is very difficult to get paid and becomes extremely difficult when more than a day or two passes after the freight was delivered. It is your responsibility to file freight claims. Dryer/parts damaged in transit **cannot** be claimed under warranty.
5. Freight claims are the responsibility of the consignee, and **ALL** claims **must be** filed at the receiving end. **ADC** assumes no responsibility for freight claims or damages.
6. If you need assistance in handling the situation, please contact the **ADC** Traffic Manager at (508) 678-9000.

**IMPORTANT:** The dryer *must be* transported and handled in an upright position at **ALL** times.

## B. SAFETY PRECAUTIONS

**WARNING:** For your safety, the information in this manual *must be* followed to minimize the risk of fire or explosion or to prevent property damage, personal injury, or loss of life.

**WARNING:** The dryer *must never be* operated with any of the back guards, outer tops, or service panels removed. **PERSONAL INJURY OR FIRE COULD RESULT.**

1. **DO NOT** store or use gasoline or other flammable vapors and liquids in the vicinity of this or any other appliance.
2. Purchaser/user should consult the local gas supplier for proper instructions to be followed in the event the user smells gas. The instructions **should be** posted in a prominent location.
3. WHAT TO DO IF YOU SMELL GAS...
  - a. **DO NOT** try to light any appliance.
  - b. **DO NOT** touch any electrical switch.
  - c. **DO NOT** use any phone in your building.
  - d. Clear the room, building, or area of **ALL** occupants.
  - e. Immediately call your gas supplier from a neighbor's phone. Follow the gas supplier's instructions.
  - f. If you **cannot** reach your gas supplier, call the fire department.
4. Installation and service **must be** performed by a qualified installer, service agency, or gas supplier.
5. Dryer(s) **must be** exhausted to the outdoors.
6. Although **ADC** produces a very versatile dryer, there are some articles that, due to fabric composition or cleaning method, **should not be** dried in it.

**WARNING:** Dry only water washed fabrics. **DO NOT** dry articles spotted or washed in dry cleaning solvents, a combustible detergent, or "all purpose" cleaner.  
**EXPLOSION COULD RESULT.**

**WARNING:** **DO NOT** dry rags or articles coated or contaminated with gasoline, kerosene, oil, paint, or wax.  
**EXPLOSION COULD RESULT.**



**WARNING:** *DO NOT* dry mop heads. Contamination by wax or flammable solvents will create a fire hazard.

**WARNING:** *DO NOT* use heat for drying articles that contain plastic, foam, sponge rubber, or similarly textured rubberlike materials. Drying in a heated basket (tumbler) may damage plastics or rubber and may be a fire hazard.

7. A program **should be** established for the inspection and cleaning of lint in the burner area, exhaust ductwork, and area around the back of the dryer. The frequency of inspection and cleaning can best be determined from experience at each location.

**WARNING:** The collection of lint in the burner area and exhaust ductwork can create a potential fire hazard.

8. For personal safety, the dryer **must be** electrically grounded in accordance with local codes and/or the National Electrical Code ANSI/NFPA NO. 70-LATEST EDITION or in Canada, the Canadian Electrical Codes Parts 1 & 2 CSA C22.1-1990 or LATEST EDITION.

**NOTE:** Failure to do so will VOID THE WARRANTY.

9. **UNDER NO CIRCUMSTANCES** should the dryer door switch, lint drawer switch, or the heat circuit devices ever be disabled.

**WARNING: PERSONAL INJURY OR FIRE COULD RESULT.**

10. This dryer is not to be used in the presence of dry cleaning solvents or fumes.
11. Remove articles from the dryer as soon as the drying cycle has been completed.

**WARNING:** Articles left in the dryer after the drying and cooling cycles have been completed can create a fire hazard.

12. **READ AND FOLLOW ALL CAUTION AND DIRECTION LABELS ATTACHED TO THE DRYER.**
13. For safety, proper operation, and optimum performance, the dryer **must not be** operated with a load less than sixty-six percent (66%), 79 lbs (35.83 kg) of its rated capacity.

**WARNING: YOU MUST DISCONNECT AND LOCKOUT THE ELECTRIC SUPPLY AND THE GAS SUPPLY OR THE STEAM SUPPLY BEFORE ANY COVERS OR GUARDS ARE REMOVED FROM THE MACHINE TO ALLOW ACCESS FOR CLEANING, ADJUSTING, INSTALLATION, OR TESTING OF ANY EQUIPMENT PER OSHA (Occupational Safety and Health Administration) STANDARDS.**

# SECTION II

## SPECIFICATIONS/COMPONENT IDENTIFICATION

### A. SPECIFICATIONS (GAS AND STEAM)

MAXIMUM CAPACITY (DRY WEIGHT)		120 lbs	54.43 kg
BASKET (TUMBLER) DIAMETER		44-1/2"	113 cm
BASKET (TUMBLER) DEPTH		42-1/2"	108 cm
BASKET (TUMBLER) MOTOR		1 HP	0.746 kw
BLOWER MOTOR		3 HP	2.238 kw
DOOR OPENING (DIAMETER)		31-3/8"	79.7 cm
BASKET (TUMBLER) VOLUME		38.2 cu. ft.	1.08 cu. m.
DRYERS PER 20'/40' CONTAINER		3/7	
DRYERS PER 45'/48' TRUCK		9/9	
<b>Gas</b>	VOLTAGE AVAILABLE	208-460v 3ø 3, 4w 50/60 Hz	
	HEAT INPUT	415,000 btu/hr	104,580 kcal/hr
	APPROX. WEIGHT (UNCRATED)	1,500 lbs	680.4 kg
	APPROX. WEIGHT (CRATED)	1,725 lbs	782.5 kg
	AIRFLOW	2,800 cfm	79.29 cmm
	INLET PIPE SIZE	1"	2.54 cm
	COMPRESSED AIR @ 80 PSI (5.51 BARS)	2.5 cfh	0.07 cmh
<b>Steam</b>	VOLTAGE AVAILABLE	208-460v 3ø 3, 4w 50/60 Hz	
	APPROX. WEIGHT (UNCRATED)	1,650 lbs	748.4 kg
	APPROX. WEIGHT (CRATED)	1,875 lbs	850.5 kg
	HEAT INPUT	13 Bhp	
	STEAM CONSUMPTION	450 lbs/hr	200.2 kg/hr
	AIRFLOW	2,800 cfm	79.29 cmm
	INLET PIPE SIZE	1-1/4"	
	COMPRESSED AIR @ 80 PSI (5.51 BARS)	3.25 cfh	0.09 cmh

*Shaded areas are stated in metric equivalents*

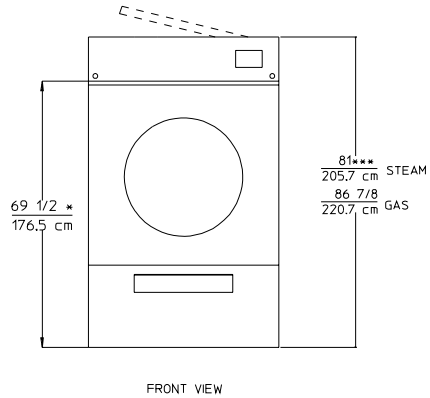
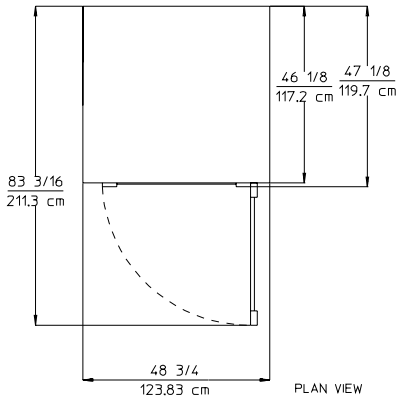
**IMPORTANT:** Dryers *must be* provided with a clean, dry, regulated 80 PSI +/- 10 PSI (5.51 bars +/- 0.69 bars) air supply.

**NOTE:** ADC reserves the right to make changes in specifications at any time without notice or obligation.

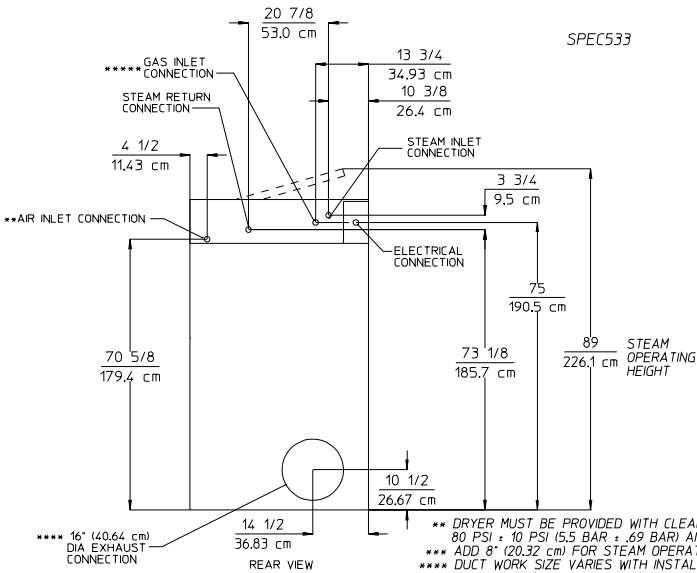
# Specifications

## IDG-120 (Gas)

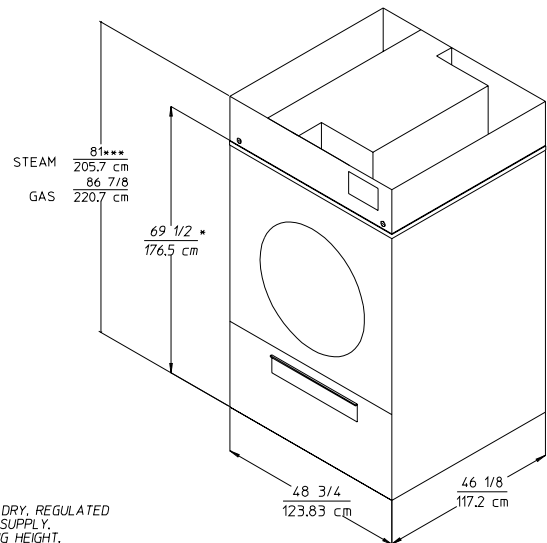
## IDS-120 (Steam)



\* Top section can be removed for easy installation.



SPEC533



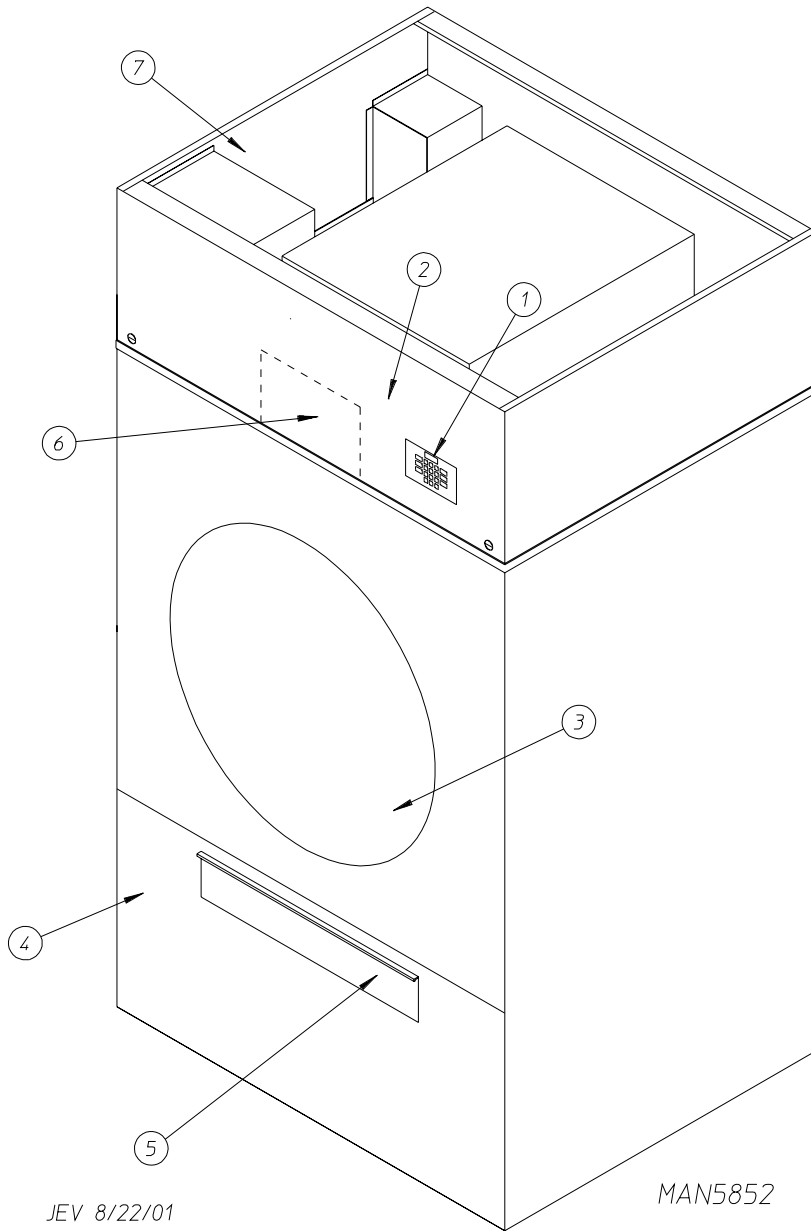
JEV 8/22/01

\*\* DRYER MUST BE PROVIDED WITH CLEAN, DRY, REGULATED 80 PSI ± 10 PSI (5.5 BAR ± .69 BAR) AIR SUPPLY.  
 \*\*\* ADD 8" (20.32 cm) FOR STEAM OPERATING HEIGHT.  
 \*\*\*\* DUCT WORK SIZE VARIES WITH INSTALLATION CONDITIONS.  
 \*\*\*\*\* SIZE OF PIPING TO DRYER VARIES WITH INSTALLATION CONDITIONS. CONTACT FACTORY FOR ASSISTANCE.

**NOTE:** ADC reserves the right to make changes in specifications at any time without notice or obligation.

## B. COMPONENT IDENTIFICATION

### 1. Dryer Front View

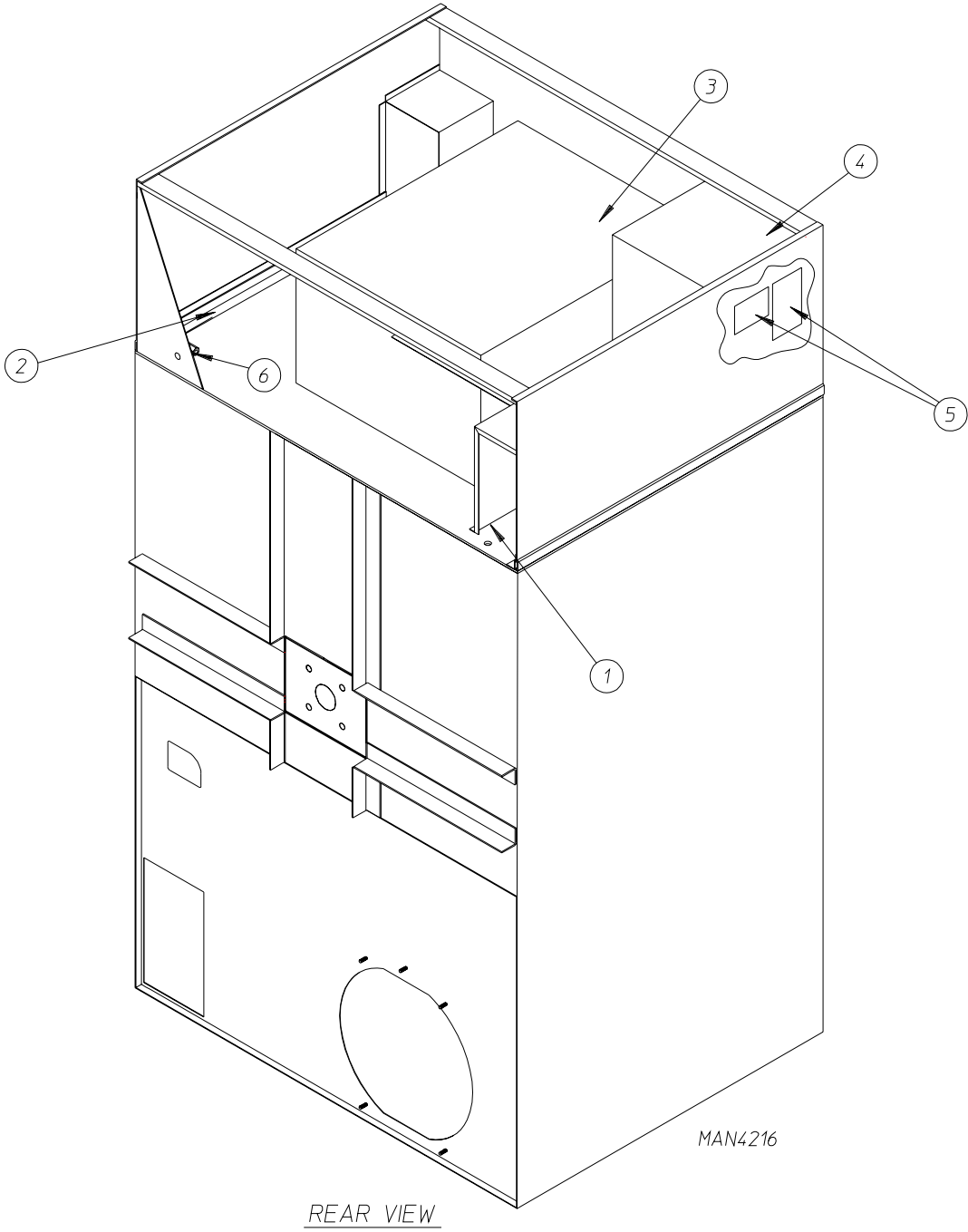


#### Illus. No.

#### Description

- |   |   |
|---|---|
| 1 | Microprocessor Control/Keyboard (touch pad) Panel Assembly (controls) |
| 2 | Control (top access) Door Assembly                                    |
| 3 | Main Door Assembly  |
| 4 | Lint Panel Assembly   |
| 5 | Lint Drawer   |
| 6 | Wire Diagram (located behind control door)                            |
| 7 | Top Console (module) Assembly   |

2. Dryer Rear View



<u>Illus. No.</u>	<u>Description</u>
1	Electrical Service Connections
2	Top Console
3	Heating Unit
4	Relay/Wiring Box
5	Data Label and Installation Label
6	Air Connection

# SECTION III

## INSTALLATION PROCEDURES

Installation **should be** performed by competent technicians in accordance with local and state codes. In the absence of these codes, the installation **must conform** to applicable American National Standards: ANSI Z223.1-LATEST EDITION (National Fuel Gas Code) or ANSI/NFPA NO. 70-LATEST EDITION (National Electrical Code) or in Canada, the installation **must conform** to applicable Canadian Standards: CAN/CGA-B149.1-M91 (Natural Gas) or CAN/CGA-B149.2-M91 (Liquid Propane [L.P.] Gas) or LATEST EDITION (for General Installation and Gas Plumbing) or Canadian Electrical Codes Parts 1 & 2 CSA C22.1-1990 or LATEST EDITION (for Electrical Connections).

### A. LOCATION REQUIREMENTS

Before installing the dryer, be sure the location conforms to local codes and ordinances. In the absence of such codes or ordinances the location **must conform** with the National Fuel Gas Code ANSI.Z223.1 LATEST EDITION, or in Canada, the installation **must conform** to applicable Canadian Standards: CAN/CGA-B149.1-M91 (Natural Gas) or CAN/CGA-B149.2-M91 (L.P. Gas) or LATEST EDITION (for General Installation and Gas Plumbing).

1. The dryer **must be** installed on a sound level floor capable of supporting its weight. Carpeting **must be** removed from the floor area that the dryer is to rest on.

**IMPORTANT:** “The dryer *must be* installed on noncombustible floors only.”

2. The dryer **must not be** installed or stored in an area where it will be exposed to water and/or weather.
3. The dryer is for use in noncombustible locations.
4. Clearance provisions **must be** made from combustible construction as noted in this manual (refer to **Dryer Enclosure Requirements** in Section C).
5. Provisions **must be** made for adequate clearances for servicing and for operation as noted in this manual (refer to **Dryer Enclosure Requirements** in Section C).
6. Provisions for adequate air supply **must be** provided as noted in this manual (refer to **Fresh Air Supply Requirements** in Section D).
7. Dryer **must be** exhausted to the outdoors as noted in this manual (refer to **Exhaust Requirements** in Section E).
8. Dryer **must be** located in an area where correct exhaust venting can be achieved as noted in this manual (refer to **Exhaust Requirements** in Section E).

**IMPORTANT:** Dryer *should be* located where a minimum amount of exhaust duct **will be** necessary.

9. The dryer **must be** installed with a proper exhaust duct connection to the outside.

10. The dryer **must be** installed with provisions for adequate combustion and make-up air supply.

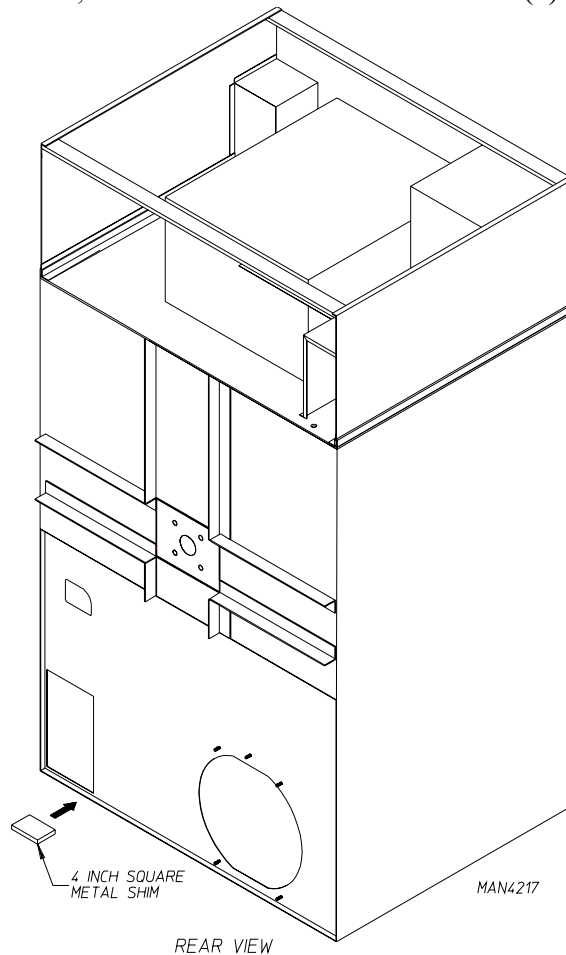
**CAUTION:** This dryer produces combustible lint and **must be** exhausted to the outdoors. Every 6 months, inspect the exhaust ducting and remove any lint build up.

## B. UNPACKING/SETTING UP

Remove protective shipping material (i.e., plastic wrap, and/or optional shipping box) from dryer.

**IMPORTANT:** Dryer **must be** transported and handled in an upright position at **ALL** times.

The dryer can be moved to its final location while still attached to the skid or with the skid removed. To unskid the dryer, locate and remove the four (4) lag bolts securing the base of the dryer to the wooden skid. Two (2) are at the rear base, and two (2) are located in the bottom of the lint chamber. To remove the two (2) lag bolts located in the lint chamber area, remove the lint drawer and the three (3) Phillips head screws securing the lint door in place.



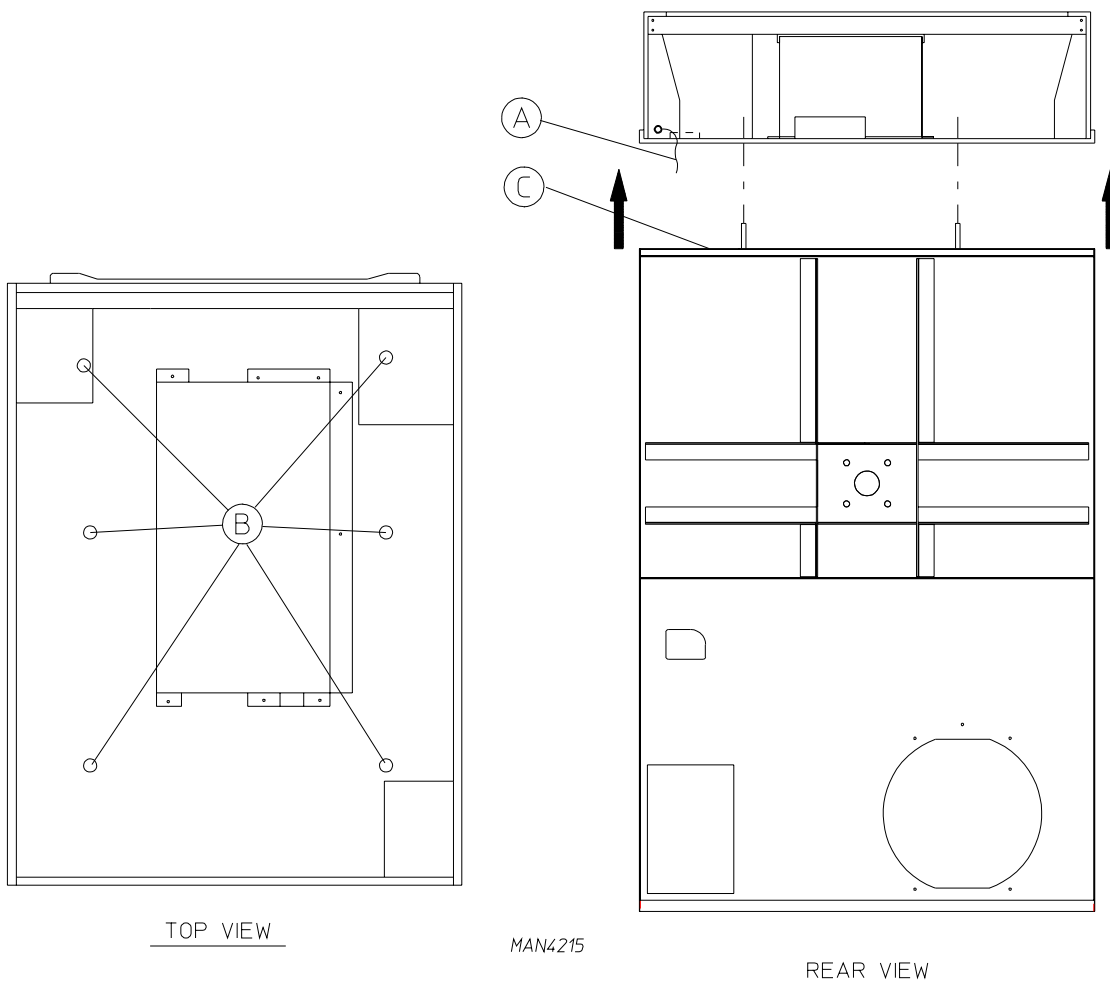
### 1. Leveling Dryer

- a. To level the dryer, place 4-inch (10.16 cm) square metal shims (refer to the **illustration above**) or other suitable material under the base pads. It is suggested that the dryer be tilted slightly to the rear.

2. If more headroom is needed when moving dryer into position, the top console (module) may be removed.

a. To Remove Top Console (Module)

- 1) Disconnect the ground wire (A) at the rear of dryer.
- 2) Remove the six (6) sets of nuts and washers (B) holding the console (module) to base. (Located within control boxes.)
- 3) Open control door and control panel then disconnect the following:
  - a) On the right side box, disconnect the 4-pin plug as well as the 4-pin and 2-pin plug located on the microprocessor controller (computer). Additionally, remove the air connection at the union, and the two (2) ground wires connected to the dryer base.
  - b) On the left side box, disconnect the drive and blower motor wires, along with the 2-pin plug and the three (3) ground wires (two [2] that go to the panel and one [1] that goes to the dryer base).
- 4) Lift the console (module) off the dryer base (C).



**IMPORTANT:** The dryer *must be* transported and handled in an upright position at **ALL** times.

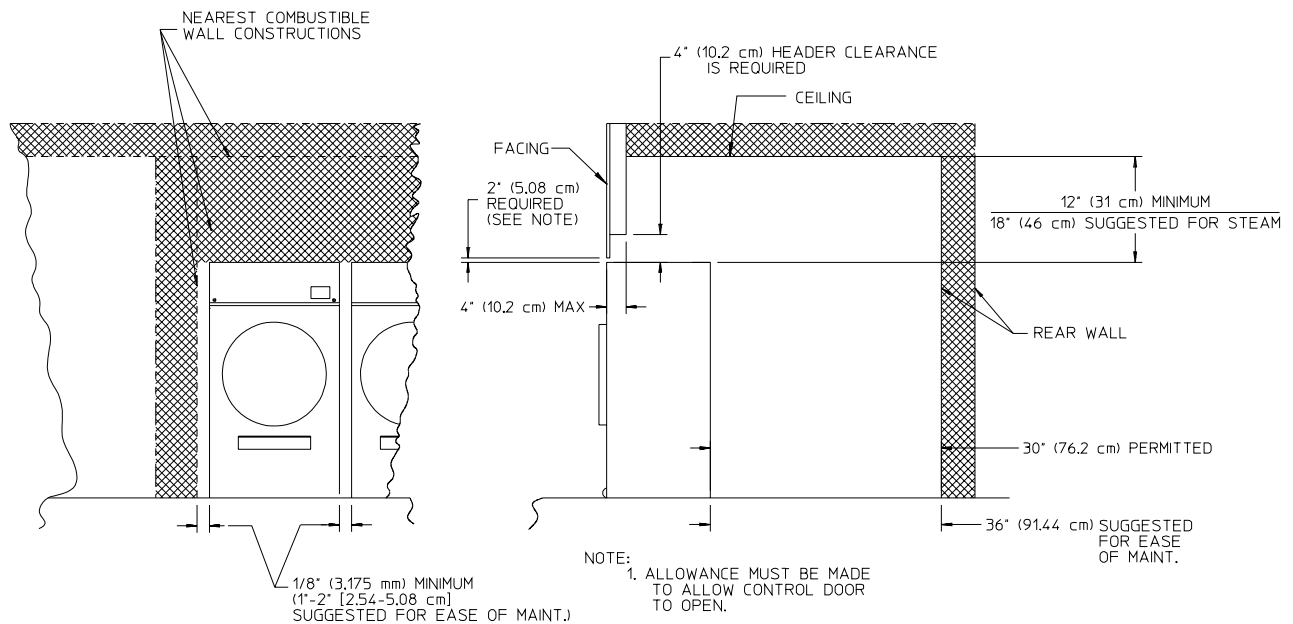


### C. DRYER ENCLOSURE REQUIREMENTS

Even though a 30-inch (76.2 cm) clearance is acceptable, it is recommended that the rear of the dryer be positioned approximately 3 feet (0.91 meters) from nearest obstruction (i.e. wall) for ease of installation, maintenance, and service. Bulkheads and partitions **should be** made from noncombustible materials. The clearance between the bulkhead header and the dryer **must be** a minimum of 4-inches (10.2 cm) and must not extend more than 4-inches (10.2 cm) to the rear of the dryer front. The bulkhead facing **must not be** closed in **ALL** the way to the top of the dryer. A 2-inch (5.08 cm) clearance is required.

**NOTE:** Bulkhead facing *should not be* installed until after dryer is in place. Ceiling area *must be* located a minimum of 12-inches (31 cm) above the top of the dryer.

**NOTE:** When fire sprinkler systems are located above the dryers, a minimum of 18-inches (46 cm) above the dryer console (module) is suggested. Dryers may be positioned sidewall to sidewall however, 1 or 2-inches (2.54 or 5.08 cm) is suggested between dryers (or wall) for ease of installation and maintenance. Allowances *must be* made for the opening and closing of the control and lint doors.



JEV 8/27/01

MAN5880

INSTALLATION: DRYER CLEARANCE TO ADJACENT WALL STRUCTURES.

## D. FRESH AIR SUPPLY REQUIREMENTS

When the dryer is operating, it draws in room air, heats it, passes this air through the basket (tumbler), and exhausts it out of the building. Therefore, the room air **must be** continually replenished from the outdoors. If the make-up air is inadequate, drying time and drying efficiency will be adversely affected. Ignition problems and sail switch “fluttering” problems may result, as well as premature motor failure from overheating. The dryer **must be** installed with provisions for adequate combustion and make-up air supply.

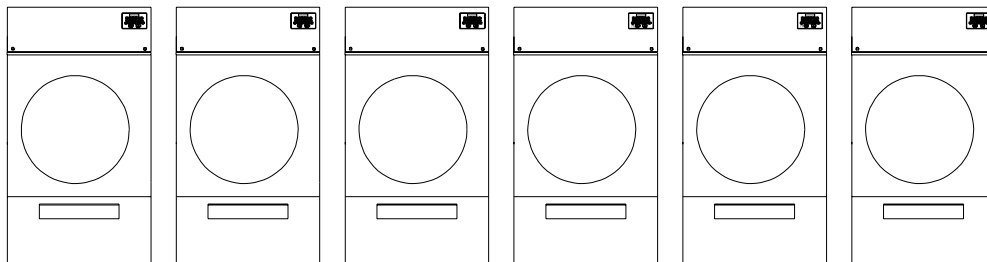
Air supply (make-up air) **must be** given careful consideration to assure proper performance of each dryer. An unrestricted source of air is necessary for each dryer. An airflow of 2,800 cfm (cubic feet per minute), (79.29 cmm [cubic meters per minute]) **must be** supplied to each dryer. As a general rule, an unrestricted air entrance from the outdoors (atmosphere) of a minimum of 3 square feet (0.279 square meters) is required for each dryer.

To compensate for the use of registers or louvers used over the openings, this make-up air **must be** increased by approximately thirty-three percent (33%). Make-up air openings **should not be** located in an area directly near where exhaust vents exit the building.

It is not necessary to have a separate make-up air opening for each dryer. Common make-up air openings are acceptable. However, they **must be** set up in such a manner that the make-up air is distributed equally to **ALL** the dryers.

*EXAMPLE:* For a bank of six (6) dryers, two (2) unrestricted openings measuring 3 feet by 3 feet (0.91 meters by 0.91 meters), (18 square feet [1.67 square meters]) is acceptable.

Allowances **must be** made for remote or constricting passageways or where dryers are located at excessive altitudes or predominantly low pressure areas.



JEV 8/27/01

TYPICAL INSTALLATION SHOWING MAKE-UP AIR OPENINGS

MAN5881

**IMPORTANT:** Make-up air **must be** provided from a source free of dry cleaning solvent fumes. Make-up air that is contaminated by dry cleaning solvent fumes will result in irreparable damage to the motors and other dryer components.

**NOTE:** Component failure due to dry cleaning solvent fumes will VOID THE WARRANTY.

## E. EXHAUST REQUIREMENTS

### 1. General Exhaust Ductwork Information

Exhaust ductwork **should be** designed and installed by a qualified professional. Improperly sized ductwork will create excessive back pressure which results in slow drying, increased use of energy, over heating of the dryer, and shutdown of the burner by the airflow (sail) switches, burner hi-limits, or basket (tumbler) hi-heat thermostats. The dryer **must be** installed with a proper exhaust duct connection to the outside.

**CAUTION:** This dryer produces combustible lint and *must be* exhausted to the outdoors.

**CAUTION:** DRYER **MUST BE** EXHAUSTED TO THE OUTDOORS.

**CAUTION: IMPROPERLY SIZED OR INSTALLED EXHAUST DUCTWORK CAN CREATE A POTENTIAL FIRE HAZARD.**

**NOTE:** When a dryer is exhausted separately, **it is recommended** that a back draft damper be installed.

**NOTE:** When dryers are exhausted into a multiple (common) exhaust line, each dryer *must be* supplied with a back draft damper.

The ductwork **should be** laid out in such a way that the ductwork travels as directly as possible to the outdoors with as few turns as possible. Single or independent dryer venting is recommended.

When single dryer venting is used, for horizontal ducting the minimum duct size is 16-inches (40.64 cm) in diameter, the duct run should not have more than one (1) elbow (including outside protection), and **must not exceed** 40 feet (12.2 meters) in total length. With single dryer vertical ducting, the minimum duct size is 18-inches (45.72 cm) in diameter, and the duct run **should not** have more than three (3) elbows (including outside protection), and **must not exceed** 20 feet (6.1 meters) in total length.

In the case of multiple (common) dryer venting, the distance from the last dryer to the outside exhaust duct outlet **must not exceed** 20 feet (6.1 meters), and have no more than one (1) elbow (including outside protection).

The shape of the ductwork is not critical so long as the minimum cross-sectional area is provided. It is suggested that the use of 90° turns be avoided; use 30° and/or 45° bends/angles instead. The radius of the elbows **should preferably be** 1-1/2 times the diameter of the duct. Including basket (tumbler)/dryer elbow connections or elbows used for outside protection from the weather, the limits noted above **must be** observed. If more elbows are used, the cross-sectional area of the ductwork **must be** increased in proportion to the number of elbows used.

**IMPORTANT:** When the ductwork approaches the maximum limits noted in this manual, a professional heating, venting, and air conditioning (HVAC) firm *must be* consulted for proper venting information.

**ALL** ductwork **should be** smooth inside with no projections from sheet metal screws or other obstructions, which will collect lint. When adding ducts, the duct to be added should overlap the duct to which it is to be connected. **ALL** ductwork joints **must be** taped to prevent moisture and lint from escaping into the building. Inspection doors **should be** installed at strategic points in the exhaust ductwork for periodic inspection and cleaning of lint from the ductwork.

**IMPORTANT:** Exhaust back pressure measured by a manometer in the exhaust duct **must be** no less than 0 and **must not exceed** 0.3 inches (0.74 mb) of water column (W.C.).

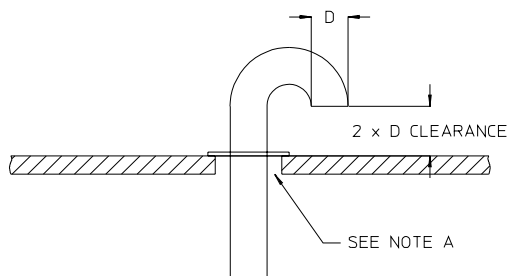
**NOTE:** When the exhaust ductwork passes through a wall, ceiling, or roof made of combustible materials, the opening **must be** 2-inches (5.08 cm) larger than the duct (all the way around). The duct **must be** centered within this opening.

#### a. Outside Ductwork Protection

- 1) To protect the outside end of the horizontal ductwork from the weather, a 90° elbow bent downward **should be** installed where the exhaust exits the building. If the exhaust ductwork travels vertically up through the roof, it **should be** protected from the weather by using a 180° turn to point the opening downward. In either case, allow at least twice the diameter of the duct between the duct opening and the nearest obstruction.

**IMPORTANT:** **DO NOT** use screens, louvers, or caps on the outside opening of the exhaust ductwork.

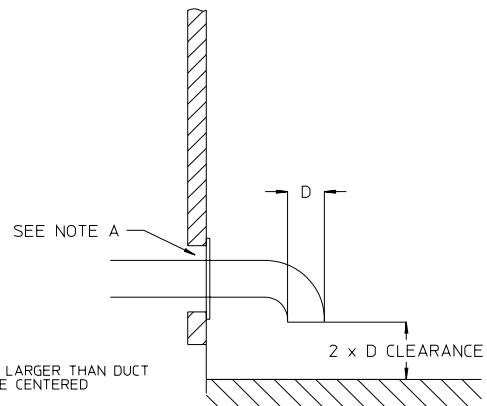
#### VERTICAL DUCTING



MAN4589

NOTE "A": OPENING MUST BE TWO (2) INCHES (5.08 CM) LARGER THAN DUCT (ALL THE WAY AROUND). THE DUCT MUST BE CENTERED WITHIN THIS OPENING.

#### HORIZONTAL DUCTING



## 2. Single Dryer Venting

Where possible, it is suggested to provide a separate exhaust duct for each dryer. The exhaust duct **should be** laid out in such a way that the ductwork travels as directly as possible to the outdoors with as few turns as possible. It is suggested that the use of 90° turns in ducting **be avoided**; use 30° and/or 45° angles instead. The shape of the exhaust ductwork **is not** critical so long as the minimum cross section area is provided.

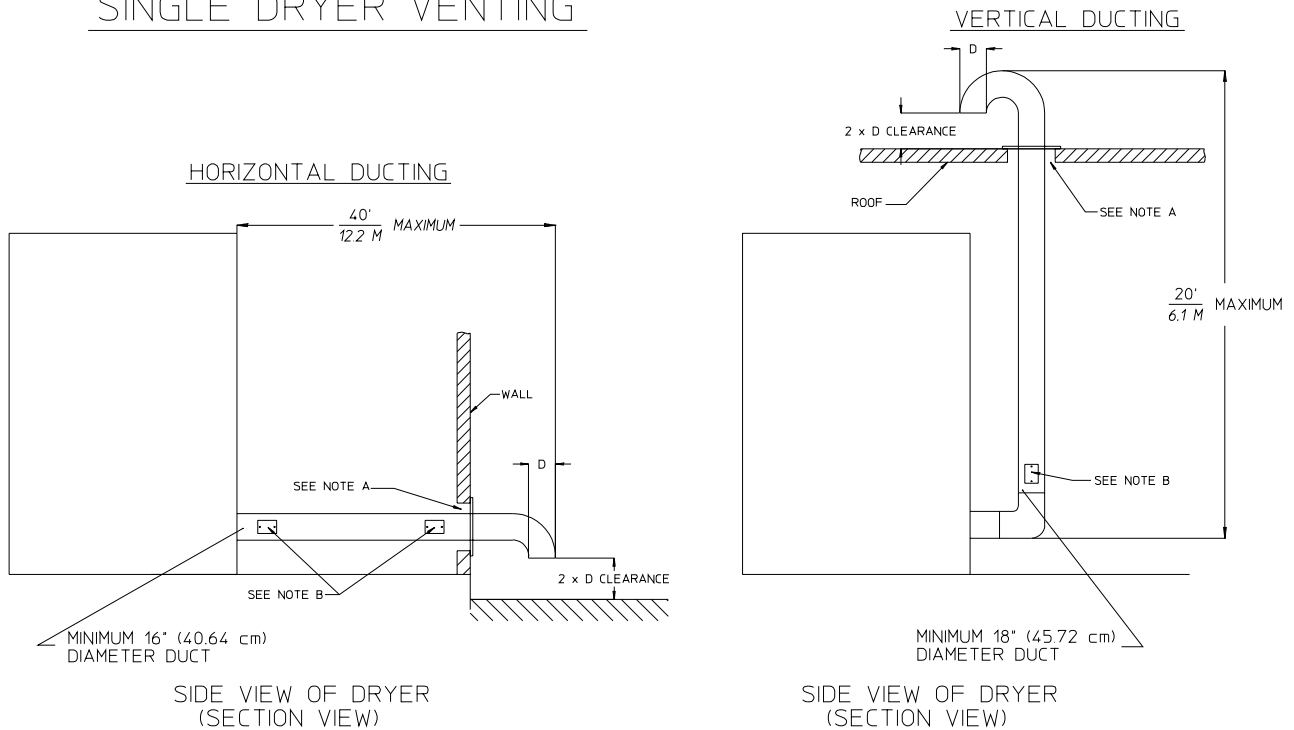
**IMPORTANT:** Minimum duct size for a dryer is 16-inches (40.64 cm) for a round duct or 14-1/2" by 14-1/2" (36.83 cm by 36.83 cm) for a square duct. **THE DUCT SIZE MUST NOT BE REDUCED ANYWHERE DOWNSTREAM OF THE DRYER.**

**IMPORTANT:** Exhaust back pressure measured by a manometer at each basket (tumbler) exhaust duct area **must be** no less than 0 and **must not exceed** 0.3 inches (0.74 mb) of water column (W.C.).

a. Ducting (Horizontal and Vertical)

- 1) For single dryer horizontal ducting the minimum duct size is 16-inches (40.64 cm) in diameter, the duct run should not have more than one (1) elbow (including outside protection), and **must not exceed** 40 feet (12.2 meters) in total length. With single dryer vertical ducting, the minimum duct size is 18-inches (45.72 cm) in diameter, the duct run should not have more than three (3) elbows (including outside protection), and **must not exceed** 20 feet (6.1 meters) in total length.

SINGLE DRYER VENTING



NOTE: "A"- OPENING MUST BE TWO (2) INCHES (5.08 cm) LARGER THAN DUCT (ALL THE WAY AROUND). THE DUCT MUST BE CENTERED WITHIN THIS OPENING.  
 "B"- INSPECTION DOORS SHOULD BE INSTALLED AT STRATEGIC POINTS FOR PERIODIC INSPECTION AND CLEANING

MAN4807

PB 12/10/99

**IMPORTANT:** When the ductwork approaches the maximum limits as noted in this manual, a professional heating, venting, and air conditioning (HVAC) firm **should be** consulted for proper venting information.

**ALL** ductwork **should be** smooth inside with no projections from sheet metal screws or other obstructions, which will collect lint. When adding ducts, the duct to be added should overlap the duct to which it is to be connected. **ALL** ductwork joints **must be** taped to prevent moisture and lint from escaping into the building. Inspection doors **should be** installed at strategic points in the exhaust ductwork for periodic inspection and cleaning of lint from the ductwork.

**NOTE:** When the exhaust ductwork passes through a wall, ceiling, or roof made of combustible materials, the opening **must be** 2-inches (5.08 cm) larger than the duct (all the way around). The duct **must be** centered within this opening.

b. Outside Ductwork Protection

- 1) To protect the outside end of the horizontal ductwork from the weather, a 90° elbow bent downward **should be** installed where the exhaust exits the building. If the exhaust ductwork travels vertically up through the roof, it **should be** protected from the weather by using a 180° turn to point the opening downward. In either case, allow at least twice the diameter of the duct between the duct opening and nearest obstruction.

**IMPORTANT:** *DO NOT* use screens, louvers, or caps on the outside opening of the exhaust ductwork.

3. Multiple Dryer (Common) Venting

If it is not feasible to provide separate exhaust ducts for each dryer, ducts from individual dryers may be channeled into a “common main duct.” The individual ducts should enter the bottom or side of the main duct at an angle not more than 45° in the direction of airflow and **should be** spaced at least 48-3/4” (123.8 cm) apart. The main duct **should be** tapered, with the diameter increasing before each individual 16-inch (40.64 cm) duct is added.

a. Multiple Dryer Venting

- 1) In case of multiple (common) dryer venting, the distance from the last dryer to the outside exhaust outlet **must not exceed** 20 feet (6.1 meters), and not have more than one (1) elbow (including outside protection).
- 2) The minimum size of the duct from each dryer into the common duct is 16-inches (40.64 cm), and must not have more than one (1) elbow. The total duct run from the dryer to the common duct **must not exceed** 15 feet (4.57 meters) in length.

**IMPORTANT:** This dryer **is not** provided with a back draft damper. When exhausted into a multiple (common) exhaust line, a back draft damper **must be** installed at each dryer duct.

**IMPORTANT:** No more than four (4) dryers **should be** connected to one (1) main common duct.

The main duct may be any shape or cross-sectional area, so long as the minimum cross section area is provided. The **illustration on page 19** shows the minimum cross-sectional area for multiple dryer round or square venting. These figures **must be** increased 10 square inches (64.52 square centimeters) when rectangular main ducting is used, and the ratio of duct width to depth **should not be** greater than 3-1/2 to 1. These figures **must be** increased in proportion if the main duct run to the last dryer to where it exhausts to the outdoors exceeds the maximum limits noted.

**IMPORTANT:** For extended ductwork runs, the cross section area of the ductwork can only be increased to an extent. Maximum proportional ductwork runs **cannot** exceed 20 feet (6.1 meters) more than the original limitations of 20 feet (6.1 meters) with two (2) elbows. When the ductwork approaches the maximum limits as noted in this manual, a professional heating, venting, and air conditioning (HVAC) firm **should be** consulted for proper venting information.

**IMPORTANT:** Exhaust back pressure measured by a manometer at each dryer exhaust duct area **must be** no less than 0 and **must not exceed** 0.3 inches (0.74 mb) of water column (W.C.).

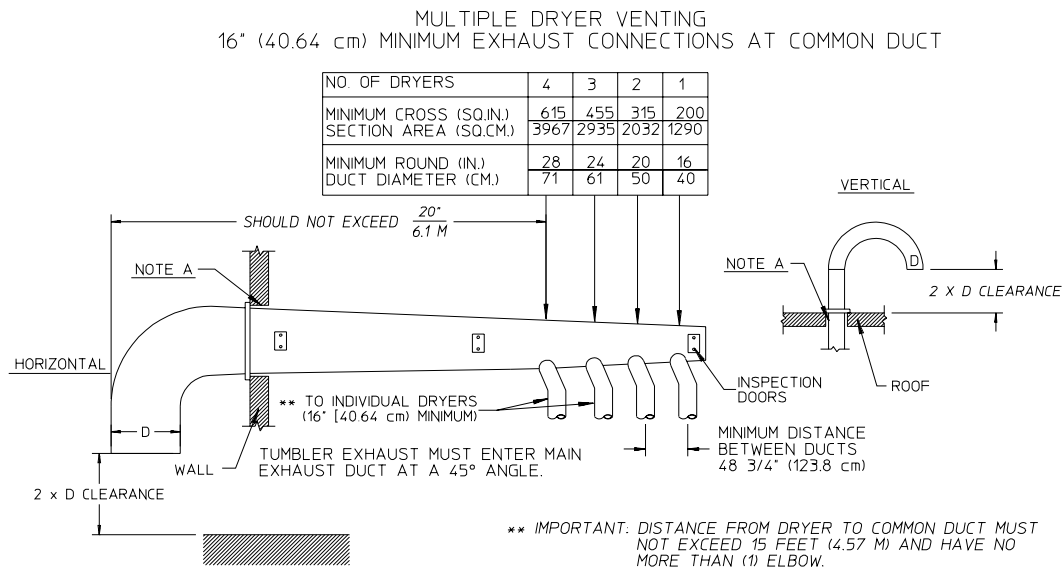
The duct **should be** smooth inside with no projections from sheet metal screws or other obstructions, which will collect lint. When adding ducts, the duct to be added should overlap the duct to which it is to be connected. **ALL** ductwork joints **must be** taped to prevent moisture and lint from escaping into the building. Inspection doors **should be** installed at strategic points in the exhaust ductwork for periodic inspection and cleaning of lint from the ductwork.

**NOTE:** When the exhaust ductwork passes through a wall, ceiling, or roof made of combustible materials, the opening **must be** 2-inches (5.08 cm) larger than the duct (all the way around). The duct **must be** centered within this opening.

b. Outside Ductwork Protection

- 1) To protect the outside end of the horizontal ductwork from the weather, a 90° elbow bent downward **should be** installed where the exhaust exits the building. If the exhaust ductwork travels vertically up through the roof, it **should be** protected from the weather by using a 180° turn to point the opening downward. In either case, allow at least twice the diameter of the duct between the duct opening and nearest obstruction.

**IMPORTANT: DO NOT** use screens, louvers, or caps on the outside opening of the exhaust ductwork.



MAN4809

FORMULAS TO CALCULATE DUCTING CROSS SECTIONAL AREA

CROSS SECTIONAL AREA OF A ROUND DUCT = .785 x DIA<sup>2</sup>

CROSS SECTIONAL AREA OF A RECTANGULAR DUCT = WIDTH x HEIGHT.

The diagram shows a circle with 'DIA' and a double-headed arrow across it. Below it is a rectangle with 'WIDTH' and 'HEIGHT' labels and double-headed arrows.

NOTE A: OPENING MUST BE TWO (2) INCHES (5.08 CM) LARGER THAN DUCT (ALL THE WAY AROUND). THE DUCT MUST BE CENTERED WITHIN THIS OPENING.

PB 12/10/99

## F. ELECTRICAL INFORMATION

### 1. Electrical Requirements

It is your responsibility to have **ALL** electrical connections made by a properly licensed and competent electrician to assure that the electrical installation is adequate and conforms to local and state regulations or codes. In the absence of such codes, **ALL** electrical connections, materials, and workmanship **must conform** to the applicable requirements of the National Electrical Code ANSI/NFPA NO. 70-LATEST EDITION or in Canada, the Canadian Electrical Codes Parts 1 & 2 CSA C22.1-1990 or LATEST EDITION.

**IMPORTANT:** Failure to comply with these codes or ordinances, and/or the requirements stipulated in this manual can result in personal injury or component failure.

**NOTE:** Component failure due to improper installation will VOID THE WARRANTY.

Each dryer **should be** connected to an independently protected branch circuit. The dryer **must be** connected with copper wire only. ***DO NOT use aluminum wire, which could cause a fire hazard.*** The copper conductor wire/cable **must be** of proper ampacity and insulation in accordance with electric codes for making **ALL** service connections.

**NOTE:** The use of aluminum wire will VOID THE WARRANTY.

**NOTE:** Wiring diagrams are affixed to the inside at the top front control door and the rear upper back guard/panel.



2. Electrical Service Specifications

# ID-120 (Gas and Steam Only)

## ELECTRICAL SERVICE SPECIFICATIONS (PER DRYER)

**IMPORTANT:** 208 VAC AND 240 VAC **ARE NOT THE SAME**. When ordering, *specify exact voltage*.

- NOTES:**
- A. When fuses are used they **must be** dual element, time delay, current limiting, class RK1 or RK5 **ONLY**. Calculate/determine correct fuse value, by applying either local and/or National Electrical Codes to listed appliance amp draw data.
  - B. Circuit breakers are thermal-magnetic (industrial) motor curve type **ONLY**. For others, calculate/verify correct breaker size according to appliance amp draw rating and type of breaker used.
  - C. Circuit breakers for 3-phase (3Ø) dryers **must be** 3-pole type.

SERVICE VOLTAGE	PHASE	WIRE SERVICE	APPROX. AMP DRAW		MINIMUM WIRE SIZE	FUSING	CIRCUIT BREAKER
			60 Hz	50 Hz		Dual Element Time Delay	
208	3Ø	3/4	12.6	--	*	20	25
240	3Ø	3	11	12.5	*	20	20
380-400	3Ø	3/4	--	5.5	*	15	15
416	3Ø	3/4	--	5.6	*	15	15
460/480	3Ø	3/4	8.6	--	*	15	15

AWG Stranded Wire Type...size wire as per National Electrical Code or local codes.

**IMPORTANT:** The dryer ***must be*** connected to the electric supply shown on the data label that is affixed to the left side panel area behind the top control (access) door (refer to the **illustration on page 9**). In the case of 208 VAC or 240 VAC, the supply voltage must match the electric service specifications of the data label **exactly**.

**WARNING:** **208 VAC AND 240 VAC ARE NOT THE SAME**. Any damage done to dryer components due to improper voltage connections will automatically **VOID THE WARRANTY**.

**NOTE:** ADC reserves the right to make changes in specifications at any time without notice or obligation.

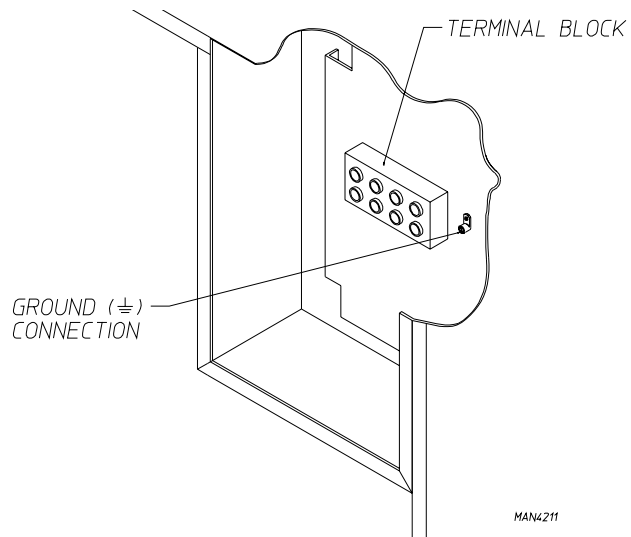
### 3. Electrical Connections

**NOTE:** A wire diagram is located in the front electrical control box for connection data.

The only electrical input connections to the dryer are the 3-phase (3 $\phi$ ) power leads (L1, L2, and L3), GROUND, and in the case of 4 wire service, the neutral. Providing local codes permit, power connections to the dryer can be made by the use of flexible underwriters laboratory listed cord or pigtail (wire size **must conform** to rating of the dryer), or the dryer can be hard wired directly to the service breaker. In **ALL** cases, a strain relief **must be** used where the wires enter the dryer electrical service (relay) box.

### 4. Grounding

A ground (earth) connection **must be** provided and installed in accordance with state and local codes. In the absence of these codes, grounding **must conform** to applicable requirements of the National Electrical Code ANSI/NFPA NO. 70-LATEST EDITION, or in Canada, the installation **must conform** to applicable Canada Standards: Canadian Electrical Codes Parts 1 & 2 CSA C22.1-1990 or LATEST EDITION. The ground connection may be to a proven earth ground at the location service panel.



**NOTE:** A grounding connection (terminal lug) is provided in the dryer's electrical service box at rear.

For added personal safety, when possible, it is suggested that a separate ground wire (sized per local code) be connected from the ground connection of the dryer to a grounded cold water pipe. **DO NOT ground to a gas pipe or hot water pipe.** The grounded cold water pipe must have metal to metal connection **ALL** the way to the electrical ground. If there are any nonmetallic interruptions, such as, a meter, pump, plastic, rubber, or other insulating connectors, they **must be** jumped out with no. 4 copper wire and securely clamped to bare metal at both ends.

**IMPORTANT:** For personal safety and proper operation, the dryer **must be** grounded. For proper operation of the microprocessor controller (computer), an earth (zero) ground is required.

**NOTE:** Grounding via metallic electrical conduit (pipe) **is not recommended.**

These electrical connections are made at the terminal block located in the electric service box at the rear, upper right hand corner of the dryer. To gain access into this service box, the service cover **must be** removed.

**NOTE: A CIRCUIT SERVICING EACH DRYER MUST BE PROVIDED.**

## G. GAS INFORMATION

It is your responsibility to have **ALL** plumbing connections made by a qualified professional to assure that the gas plumbing installation is adequate and conforms to local and state regulations or codes. In the absence of such codes, **ALL** plumbing connections, materials, and workmanship **must conform** to the applicable requirements of the National Fuel Gas Code ANSI Z223.1-LATEST EDITION, or in Canada, the Canadian Installation Codes CAN/CGA-B149.1-M91 (Natural Gas) or CAN/CGA-B149.2-M91 (L.P. Gas) or LATEST EDITION.

**IMPORTANT:** Failure to comply with these codes or ordinances, and/or the requirements stipulated in this manual, can result in personal injury and improper operation of the dryer.

The dryer and its individual shutoff valves **must be** disconnected from the gas supply piping system during any pressure testing of that system at test pressures in excess of 1/2 psig (3.5 kPa). The dryer **must be** isolated from the gas supply piping system by closing its individual manual shutoff valve during any pressure test of the gas supply system at test pressures equal to or less than 1/2 psig (3.5 kPa).

**IMPORTANT:** Failure to isolate or disconnect dryer from supply as noted can cause irreparable damage to the gas valve, which will VOID THE WARRANTY.

**WARNING: FIRE OR EXPLOSION COULD RESULT.**

### 1. Gas Supply

The gas dryer installation **must meet** the American National Standard...National Fuel Gas Code ANSI Z223.1-LATEST EDITION, or in Canada, the Canadian Installation Codes CAN/CGA-B149.1 M91 (Natural Gas) or CAN/CGA-B149.2-M91 (L.P. Gas) or LATEST EDITION, as well as local codes and ordinances and **must be** done by a qualified professional.

**NOTE:** Undersized gas piping will result in ignition problems, slow drying, increased use of energy, and can create a safety hazard.

The dryer **must be** connected to the type of heat/gas indicated on the data label that is affixed to the left side panel area behind the top control (access) door (refer to the **illustration on page 9**). If this information does not agree with the type of gas available, **DO NOT OPERATE THE DRYER**. Contact the reseller who sold the dryer or the **ADC** factory.

**IMPORTANT:** Any burner changes or conversions **must be** made by a qualified professional.

The input ratings shown on the dryer data label are for elevations up to 2,000 feet (610 meters), unless elevation requirements of over 2,000 feet (610 meters) were specified at the time the dryer order was placed with the factory. The adjustment or conversion of dryers in the field for elevations over 2,000 feet (610 meters) is made by changing each burner orifice. If this conversion is necessary, contact the reseller who sold the dryer or contact the **ADC** factory.

2. Technical Data

a. Gas Specifications

<b>TYPE OF GAS</b>				
NATURAL			LIQUID PROPANE	
Manifold Pressure*	3.5 inches W.C.	8.7 mb	10.5 inches W.C.	26.1 mb
In-Line Pressure	6.0 - 12.0 inches W.C.	14.92 - 29.9 mb	11.0 inches W.C.	27.4 mb

*Shaded areas are stated in metric equivalents*

b. Gas Connections:

Inlet connection ----- 1-inch F.P.T.  
 Inlet supply size ----- 1-inch F.P.T. (minimum)  
 Btu/hr input (per dryer) ----- 415,000 (104,580 kcal/hr)

1) Natural Gas

Regulation is controlled by the dryer’s gas valve’s internal regulator. Incoming supply pressure **must be** consistent between a minimum of 6.0 inches (14.92 mb) and a maximum of 12.0 inches (29.9 mb) water column (W.C.) pressure.

2) Liquid Propane (L.P.) Gas

Dryers made for use with L.P. gas have the gas valve’s internal pressure regulator blocked open so that the gas pressure **must be** regulated upstream of the dryer. The pressure measured at each gas valve pressure tap **must be** a consistent 10.5 inches (26.1 mb) water column. There is no regulator or regulation provided in an L.P. dryer. The water column pressure **must be** regulated at the source (L.P. tank) or an external regulator **must be** added to each dryer.

			<b>TYPE OF GAS</b>						Liquid Propane Conversion Kit Part Number
ADC MODEL NUMBER	BTU Per Hour Rating	kcal/hr Rating	Natural			Liquid Propane			
			Qty.	D.M.S.*	Part Number	Qty.	D.M.S.*	Part Number	
IDG-120	415,000	104,580	3	#2	140839	3	#30	140819	883118

*Shaded area is stated in metric equivalent*

\* Drill Material Size (D.M.S.) equivalents are as follows:  
 Natural Gas ..... #2 = 0.2210” (5.6134 mm).  
 Liquid Propane Gas ..... #30 = 0.1285” (3.2639 mm).

### 3. Piping/Connections

**ALL** components/materials **must conform** to National Fuel Gas Code Specifications ANSI Z223.1-LATEST EDITION, or in Canada, CAN/CGA-B149.1-M91 (Natural Gas) or CAN/CGA-B149.2-M91 (L.P. Gas) or LATEST EDITION (for General Installation and Gas Plumbing), as well as local codes and ordinances and **must be** done by a qualified professional. It is important that gas pressure regulators meet applicable pressure requirements, and that gas meters be rated for the total amount of **ALL** the appliance BTUs being supplied.

The dryer is provided with a 1-inch N.P.T. inlet pipe connection extending out the back area of the burner box. The minimum pipe size (supply line) to the dryer is 1-inch N.P.T. For ease of servicing, the gas supply line of each dryer must have its own shutoff valve.

The size of the main gas supply line (header) will vary depending on the distance this line travels from the gas meter or, in the case of L.P. gas, the supply tank, other gas operated appliances on the same line, etc. Specific information regarding supply line size **should be** determined by the gas supplier.

**NOTE:** Undersized gas supply piping can create a low or inconsistent pressure, which will result in erratic operation of the burner ignition system.

Consistent gas pressure is essential at **ALL** gas connections. It is recommended that a 1-inch (2.54 cm) pipe gas loop be installed in the supply line servicing a bank of dryers. An in-line pressure regulator **must be** installed in the gas supply line (header) if the (natural) gas pressure exceeds 12.0 inches (29.9 mb) of water column (W.C.) pressure.

**NOTE:** A water column test pressure of 3.5 inches (8.7 mb) for natural gas and 10.5 inches (26.1 mb) for L.P. dryers is required at the gas valve pressure tap of each dryer for proper and safe operation.

A 1/8" N.P.T. plugged tap, accessible for a test gauge connection, **must be** installed in the main gas supply line immediately upstream of each dryer.

**IMPORTANT:** Pipe joint compounds that resist the action of natural gas and L.P. gas **must be** used.

**IMPORTANT:** Test **ALL** connections for leaks by brushing on a soapy water solution (liquid detergent works well).

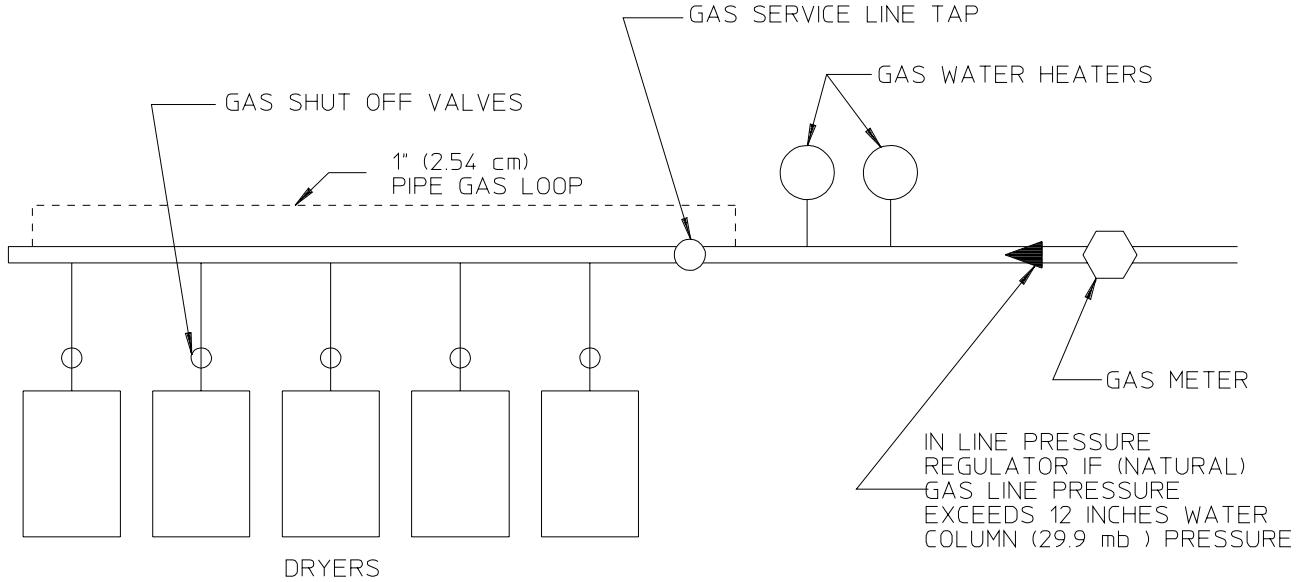
**WARNING: NEVER TEST FOR LEAKS WITH A FLAME!!!**

**ALL** components/materials **must conform** to National Fuel Gas Code Specifications ANSI Z223.1-LATEST EDITION, or in Canada, CAN/CGA-B149.1-M91 (Natural Gas) or CAN/CGA-B149.2-M91 (L.P. Gas) or LATEST EDITION (for General Installation and Gas Plumbing), as well as local codes and ordinances and **must be** done by a qualified professional. It is important that gas pressure regulators meet applicable pressure requirements, and that gas meters be rated for the total amount of **ALL** the appliance BTUs being supplied.

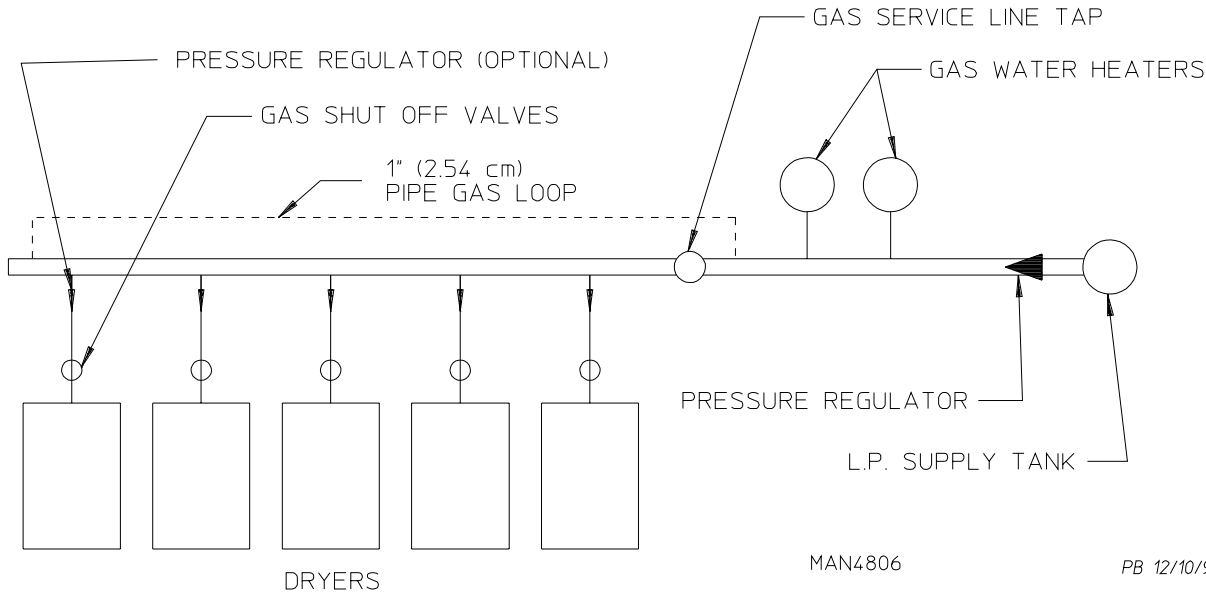
**IMPORTANT:** The dryer and its individual shutoff valve **must be** disconnected from the gas supply piping system during any pressure testing of that system at test pressures in excess of 1/2 psig (3.5 kPa).

**NOTE:** The dryer *must be* isolated from the gas supply piping system by closing its individual manual shutoff valve during any pressure test of the gas supply system at test pressures equal to or less than 1/2 psig (3.5 kPa).

TYPICAL NATURAL GAS INSTALLATION



TYPICAL L.P. GAS INSTALLATION



MAN4806

PB 12/10/99

## H. STEAM INFORMATION

It is your responsibility to have **ALL** plumbing connections made by a qualified professional to assure that the gas plumbing installation is adequate and conforms to local and state regulations or codes.

**IMPORTANT:** Failure to comply with the requirements stipulated in this manual can result in component failure, which will VOID THE WARRANTY.

**NOTE:** This dryer is manufactured with a pneumatic (piston) damper system, which requires an external supply of clean, dry, regulated air of 0.75 CFH @ 80 PSI +/- 10 PSI (5.51 bars +/- 0.69 bars). Refer to **Steam Damper Air System Connections, item 4 (page 29)**.

### 1. Steam Coil PH Level

The normal PH level for copper type steam coils **must be** maintained between a value of 8.5 to 9.5. For steel type steam coils the PH level **must be** maintained between a value of 9.5 to 10.5. These limits are set to limit the acid attack of the steam coils.

**IMPORTANT:** Coil failure due to improper PH level will VOID THE WARRANTY.

### 2. Steam Requirements - High Pressure

Inlet ----- 1-1/4" supply line connection -- qty. one (1) at top manifold.

Return ----- 1-1/4" return line connection --- qty. one (1) at bottom manifold.

<b>OPERATING STEAM PRESSURE</b>		
MAXIMUM	125 psig	<b>862 kPa</b>
MINIMUM	100 psig*	<b>689 kPa</b>
HEAT INPUT (NORMAL LOAD)	13 Bhp	
CONSUMPTION (APPROXIMATE)	450 lbs/hr	<b>204 kg/hr</b>

*Shaded areas are stated in metric equivalents*

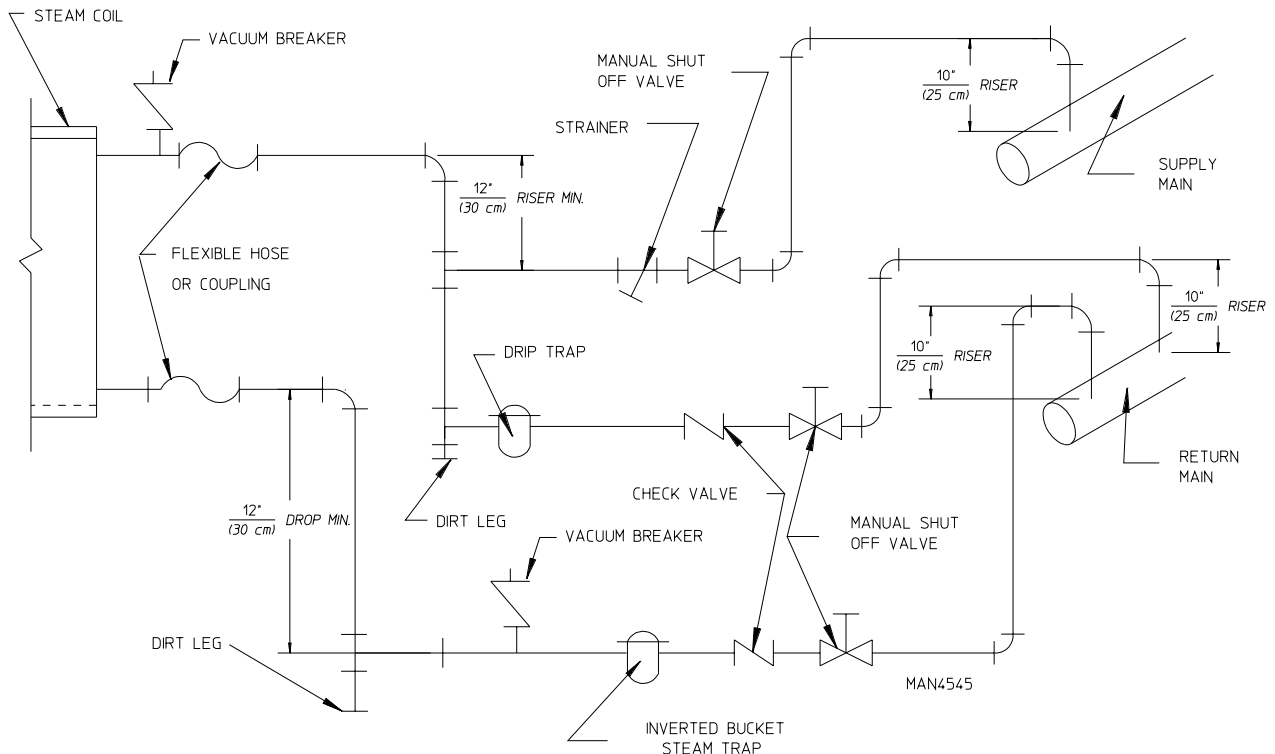
Minimum operating pressure for optimum results.

### 3. Installation Instructions

To insure an adequate supply of steam is provided, be sure that the steam lines and steam return lines are sized and laid out as stipulated in this manual. Inadequate steam lines and steam return lines or improper steam plumbing will result in poor performance and can cause component failure. Clean, dry steam **must be** provided to the dryer.

**IMPORTANT:** Steam coil failure due to water hammer by wet steam will VOID THE WARRANTY.

- a. The pressure of the condensate in the steam supply will cause water hammer and subsequent heat exchanger (steam coil) failure. The steam supply connection into the main supply line **must be** made with a minimum 12-inch (30.48 cm) riser. This will prevent any condensate from draining towards the dryer.
- b. The steam supply piping to the dryer must include a 12-inch (30.48 cm) rise along with a drip trap and check valve. This will prevent any condensate from entering the steam coil.
- c. Flexible hoses or couplings **must be** used. The dryer vibrates slightly when it runs and this will cause the steam coil connections to crack if they are hard piped to the supply and return mains.
- d. Shutoff valves for each dryer **should be** installed in the supply line, return line, and drip trap return line. This will allow the dryer to be isolated from the supply main and the return main if the dryer needs maintenance work.
- e. Install an inverted bucket steam trap and check valve at least 12-inches (30.48 cm) below the steam coil as close to the coil as possible.
  - 1) An inverted bucket steam trap with a capacity of 1,200 lbs (544 kg) of condensate per hour @ 125 PSI (8.62 bars) is required for each unit.
- f. The supply line and the return line **should be** insulated. This will save energy and provide for the safety of the operator and maintenance personnel.
- g. Water pockets in the supply line, caused by low points, will provide wet steam to the coil possibly causing steam coil damage. **ALL** horizontal runs of steam supply piping **should be** pitched 1/4-inch (6.35 mm) for every 1 foot (0.31 meters) back towards the steam supply header causing the condensate in the line to drain to the header. Install a bypass trap in any low point to eliminate wet steam.





#### 4. Steam Damper Air System Connections

This dryer is manufactured with a pneumatic (piston) damper system, which requires an external supply of compressed air of 0.75 CFH. The air connection is made to the steam damper solenoid valve, which is located at the rear of the top console.

##### a. Air Requirements

<b>COMPRESSED AIR SUPPLY</b>	<b>AIR PRESSURE</b>	
Normal	80 PSI	<b>5.51 bars</b>
Minimum Supply	70 PSI	<b>4.82 bars</b>
Maximum Supply	90 PSI	<b>6.21 bars</b>

*Shaded areas are stated in metric equivalents*

##### b. Air Connection

Air connection to system --- 1/8" F.P.T.

c. No air regulator or filtration is provided with the dryer. External regulation/filtration of 80 PSI (5.51 bars) **must be** provided. It is suggested that a regulator/filter gauge arrangement be added to the compressed air line just before the dryer connection. This is necessary to insure that correct and clean air pressure is achieved.

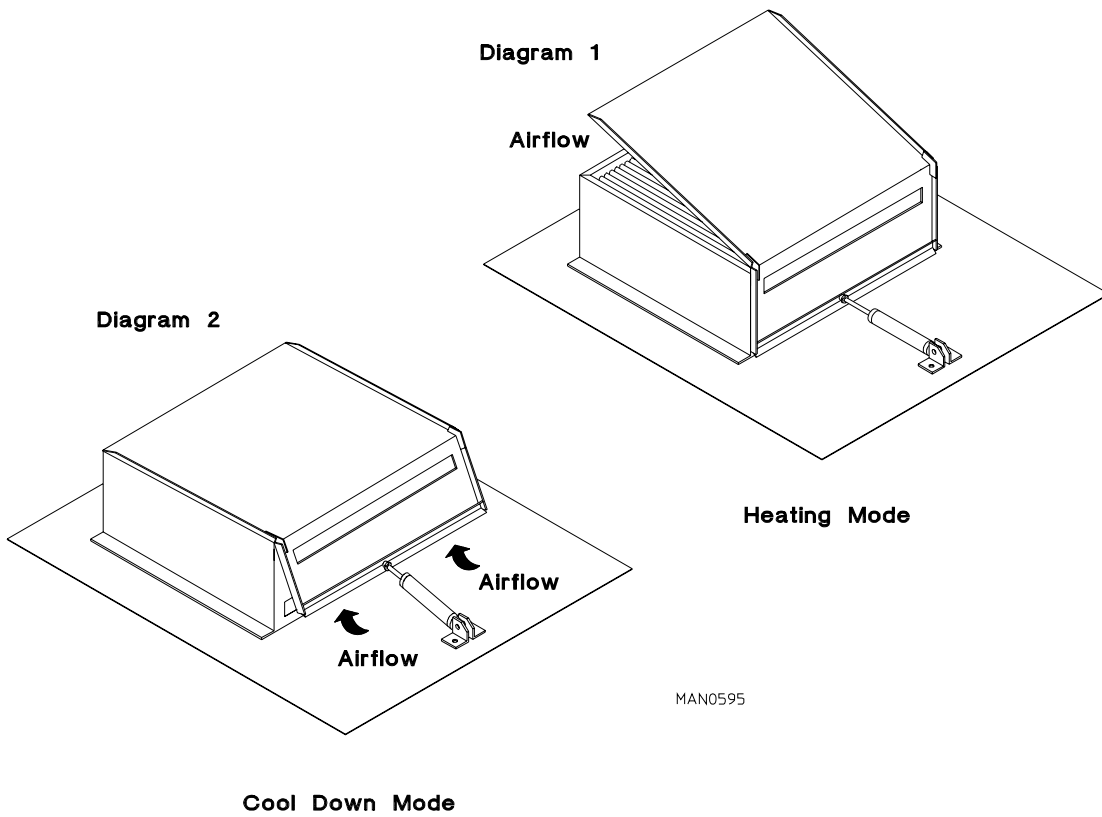
#### 5. Steam Damper System Operation

The steam damper, as shown in the **top illustration (Diagram 1)** on **page 30**, allows the coil to stay constantly charged eliminating repeated expansion and contraction. When the damper is opened, the air immediately passes through the already hot coil, providing instant heat to start the drying process. When the damper is closed, ambient air is drawn directly into the basket (tumbler), allowing a rapid cool down.

**Diagram 1** shows the damper in the heating (open) mode, allowing heat into the basket (tumbler).

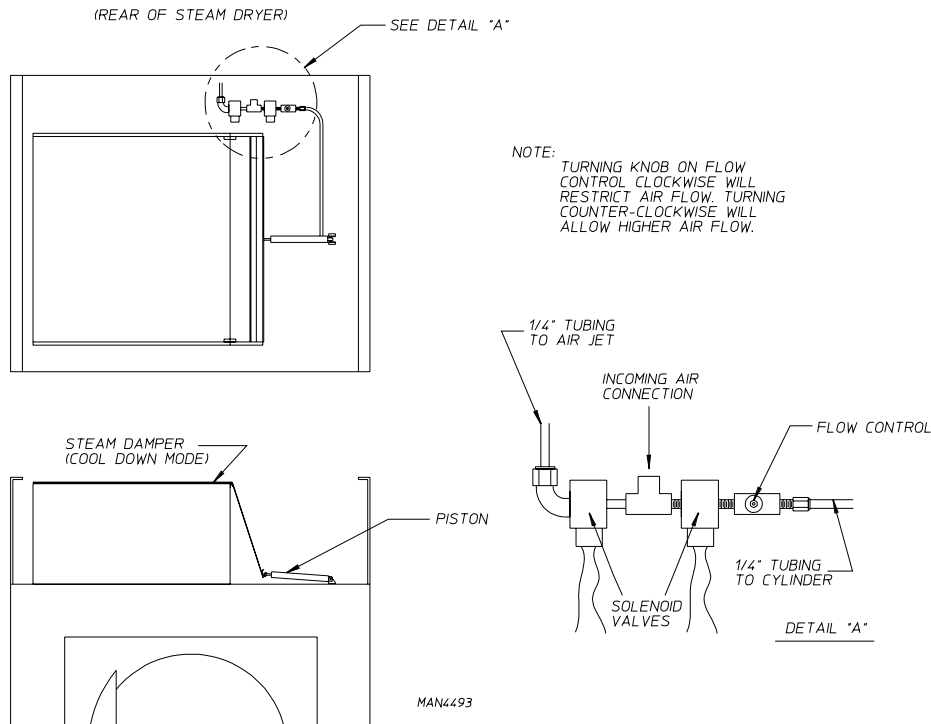
**Diagram 2** shows the damper in the cool down (closed) mode, pulling ambient air directly into the basket (tumbler) without passing through the coils.

<p><b>NOTE:</b> With the dryer off or with no air supply, the steam damper is in cool down mode as shown in <b>Diagram 2</b> (refer to the <b>illustration</b> on the following page).</p>
--



6. Steam Damper Air Piston (Flow Control) Operation Adjustment

Although the steam damper operation was tested and adjusted prior to shipping at 80 PSI (5.51 bars), steam damper operation **must be** checked before the dryer is put into operation. Refer to **page 33** for instructions to check steam damper operation. If steam damper adjustment is necessary, locate the flow control valve and make the necessary adjustments as noted below.



## I. COMPRESSED AIR

This dryer is manufactured with a pneumatic Air Jet damper system, which requires an external supply of compressed air of 0.75 CFH. The air connection is made at the rear of the top console.

### 1. Air Requirements

<b>COMPRESSED AIR SUPPLY</b>	<b>AIR PRESSURE</b>	
Normal	80 PSI	<b>5.51 bars</b>
Minimum Supply	70 PSI	<b>4.82 bars</b>
Maximum Supply	90 PSI	<b>6.21 bars</b>

*Shaded areas are stated in metric equivalents*

### 2. Air Connection

Air connection to system --- 1/8" F.P.T.

3. No air regulator or filtration is provided with the dryer. External regulation/filtration of 80 PSI (5.51 bars) **must be** provided. It is suggested that a regulator/filter gauge arrangement be added to the compressed air line just before the dryer connection. This is necessary to insure that correct and clean air pressure is achieved.

## J. PREPARATION FOR OPERATION/START-UP

The following items **should be** checked before attempting to operate the dryer:

1. Read **ALL** "CAUTION," "WARNING," and "DIRECTION" labels attached to the dryer.
2. Check incoming supply voltage to be sure that it is the same as indicated on the dryer data label that is affixed to the left side panel area behind the top control (access) door (refer to the **illustration on page 9**). In the case of 208 VAC or 240 VAC, **THE SUPPLY VOLTAGE MUST MATCH THE ELECTRIC SERVICE EXACTLY.**
3. GAS MODELS - check to assure that the dryer is connected to the type of heat/gas indicated on the dryer data label.
4. GAS MODELS - the sail switch damper assembly was installed and pre-adjusted at the factory prior to shipping. However, each sail switch adjustment **must be** checked to assure that this important safety control is functioning.
5. GAS MODELS - be sure that **ALL** gas shutoff valves are in the open position.
6. Be sure that **ALL** electric box covers have been replaced.
7. Check **ALL** service doors to assure that they are closed and secured in place.

8. Be sure the lint drawer is securely in place.

**NOTE: LINT DRAWER *MUST BE* CLOSED TO ACTIVATE THE SAFETY SWITCH OTHERWISE THE DRYER WILL NOT START.**

9. Rotate the basket (tumbler/drum) by hand to be sure it moves freely.
10. Check bolts, nuts, screws, terminals, and fittings for security.
11. STEAM MODELS - check to insure air supply (80 PSI [5.51 bars]) is connected to the dryer.
12. STEAM MODELS - check to insure **ALL** steam shutoff valves are open.
13. STEAM MODELS - check steam damper operation.
14. Check basket (tumbler) bearing setscrews to insure they are **ALL** tight.

## K. PREOPERATIONAL TESTS

**ALL** dryers are thoroughly tested and inspected before leaving the factory. However, a preoperational test **should be** performed before the dryer is publicly used. It is possible that adjustments have changed in transit or due to marginal location (installation) conditions.

1. Turn on electric power to the dryer.
2. Make sure the main door is closed and the lint drawer is securely in place.
3. Refer to the Operating Instructions for starting your particular model dryer.
4. Check to insure that the basket (tumbler) starts in the clockwise (CW) direction. Additionally, check the direction of the blower motor impellor (fan) to insure that the impellor (fan) rotates in the clockwise (CW) direction as viewed from the front. If it is, the phasing is correct. If the phasing is incorrect, reverse two (2) of the leads at L1, L2, or L3 of the power supply connections made to the dryer.

**IMPORTANT:** Dryer blower motor impellor/fan as viewed from the front must turn in the clockwise (CW) direction, otherwise the dryer efficiency **will be** drastically reduced and premature component failure can result.

### 5. Heat Circuit Operational Test

#### a. Gas Models

- 1) When the dryer is first started (during initial start-up), the burner has a tendency not to ignite on the first attempt. This is because the gas supply piping is filled with air, so it may take a few minutes for this air to be purged from the lines.

- 2) The dryer is equipped with a Hot Surface Ignition (HSI) system, which has internal diagnostics. If ignition is not established after the first attempt, the heat circuit HSI module will “LOCKOUT” until it is manually reset. To reset the HSI system, open and close main door and restart dryer (press the “START” key).

**NOTE:** During the purging period, check to be sure that **ALL** gas shutoff valves are open.

- 3) Once ignition is established, a gas pressure test **should be** taken at the gas valve pressure tap of each dryer to assure that the water column (W.C.) pressure is correct and consistent.

**NOTE:** Water column pressure requirements (measured at the gas valve pressure tap)...

Natural Gas ----- 3.5 inches (8.7 mb) water column.

Liquid Propane (L.P.) Gas ----- 10.5 inches (26.1 mb) water column.

**IMPORTANT:** There is no regulator provided in an L.P. dryer. The water column pressure **must be** regulated at the source (L.P. tank) or an external regulator **must be** added to each dryer.

#### b. Steam Models

- 1) Check to insure that the steam damper is functioning properly.

- a) The steam damper should not “slam” (open or closed) when it reaches the end of (piston) travel. Additionally, the steam damper should not bind and/or stop during travel. If either of these conditions occur, the flow control **must be** adjusted. Refer to the **bottom illustration on page 30** for air adjustment instructions.

6. Make a complete operational check of **ALL** safety-related circuits (i.e., lint drawer switch, and sail switch on gas models).

**NOTE:** To check for proper sail switch operation, open the main door and while holding main door switch plunger in, start the dryer. The dryer should start but the heat circuit **should not be** activated (on). If the heat (burner) does activate, shut the dryer off and make the necessary adjustments.

7. A reversing basket (tumbler) dryer **should never be** operated with less than a 79 lb (35.83 kg) load (dry weight). The size of the load will affect the coast-down and dwell (stop) times. The basket (tumbler) must come to a complete stop before starting in the opposite direction.

#### a. Microprocessor Controller (Computer) Dryer Models

- 1) Spin and stop are not adjustable in the Automatic Mode and have been preprogrammed into the microprocessor controller (computer) for 150-seconds spin time in the forward direction and 120-seconds in the reverse direction with a 5-second dwell (stop) time.
- 2) Spin and stop times are adjustable in the Manual (timed) Mode.

#### b. Dual Timer Dryer Models

- 1) Both spin time and dwell (stop) time are adjustable (refer to **page 43**).

### BASKET (TUMBLER) COATING

The basket (tumbler) is treated with a protective coating. We suggest dampening old garments or cloth material with a solution of water and nonflammable mild detergent and tumbling them in the basket (tumbler) to remove this coating.

8. Each dryer **should be** operated through one (1) complete cycle to assure that no further adjustments are necessary and that **ALL** components are functioning properly.
9. Make a complete operational check of **ALL** operating controls...
  - a. Microprocessor controller (computer) programs/selections...
    - 1) Each computer has been preprogrammed by the factory with the most commonly used parameter (program) selections. If computer program changes are required, refer to the computer programming manual, which was shipped with the dryer.

- b. Dual Timer Check...

Heating Timer

Cool Down Timer

Temperature Selection Buttons

## L. OPERATING INSTRUCTIONS

**NOTE:** Before attempting to start the dryer the main door *must be* closed and the lint drawer securely in place.

1. To start the dryer:
  - a. Microprocessor controller (computer) dryers...
    - 1) Light emitting diode (L.E.D.) display will read “REAdY” (meaning no cycle in progress).
    - 2) Press the letter on the keyboard (touch pad) corresponding to the cycle desired (i.e., key “E”)...
      - a) The dryer will then start (rotate).
    - 3) L.E.D. display will now show “Cycle In Progress” and “Cycle Status” meaning that the dryer is in the drying cycle (dry mode for 30 minutes) and count downwards in minutes.

**NOTE:** Pressing keyboard (touch pad) key “A,” “B,” “C,” “D,” and “F” will also start the dryer. The six (6) preprogrammed drying cycles (“A” through “F”) have been stored in the microprocessor controller (computer) memory. Refer to the Programming Manual supplied with the dryer for more specific operating instructions.

**NOTE:** The dryer can be stopped at any time by opening the main door or by pressing the “STOP” red key. To restart the dryer, press the “START” green key or a preprogrammed cycle key (i.e., “E”).

**NOTE:** Selection (settings) changes can be made at any time during the drying cycle by pressing the “STOP” red key twice. The L.E.D. display will return to “REAdY” at which time a new cycle selection can be made.

- b. Dual Timer Dryers
  - 1) Select drying time and cool down time desired...
    - a) Turn heat timer clockwise (CW) to the desired time (i.e., 1 minute to 60 minutes).
    - b) Turn cool down timer clockwise (CW) to the desired time (i.e., 0 minutes to 30 minutes).
  - 2) Select Drying Temperature (“HI TEMP,” “LO TEMP,” or “PERM PRESS”).
  - 3) Push “Start” Button...
    - a) Dryer will now start.
  - 4) To stop the dryer, open the main door.

## M. SHUT DOWN INSTRUCTIONS

If the dryer is to be shut down (taken out of service) for a period of time, the following **must be** performed:

1. Discontinue power to the dryer either at the external disconnect switch or the circuit breaker.
2. Discontinue the heat supply:
  - a. ***GAS MODELS*...discontinue the gas supply.**
    - 1) **SHUT OFF external gas supply shutoff valve.**
    - 2) **SHUT OFF internal gas supply shutoff valve located in the gas valve burner area.**
  - b. ***STEAM MODELS*...discontinue the steam supply.**
    - 1) **SHUT OFF external (location furnished) shutoff valve.**
    - 2) **SHUT OFF internal steam valves in the supply lines and the return lines.**



# SECTION IV

## SERVICE/PARTS INFORMATION

### A. SERVICE

1. Service **must be** performed by a qualified trained technician, service agency, or gas supplier. If service is required, contact the reseller from whom the **ADC** equipment was purchased. If the reseller **cannot** be contacted or is unknown, contact the **ADC** Service Department for a reseller in your area.

**NOTE:** When contacting the **ADC** Service Department, be sure to give them the correct **model number** and **serial number** so that your inquiry is handled in an expeditious manner.

### B. PARTS

1. Replacement parts **should be** purchased from the reseller from whom the **ADC** equipment was purchased. If the reseller **cannot** be contacted or is unknown, contact the **ADC** Parts Department for a reseller in your area. Parts may also be purchased directly from the factory by calling the **ADC** Parts Department at (508) 678-9000 or you may FAX in your order at (508) 678-9447.

**NOTE:** When ordering replacement parts from the **ADC** reseller or the **ADC** factory be sure to give them the correct **model number** and **serial number** so that your parts order can be processed in an expeditious manner.

# SECTION V

## WARRANTY INFORMATION

### A. RETURNING WARRANTY CARDS

1. Before any dryer leaves the **ADC** factory test area, a warranty card is placed on the back side of the main door glass. These warranty cards are intended to serve the customer where we record the individual installation date and warranty information to better serve you should you file a warranty claim.
  - a. If a warranty card did not come with your dryer, contact the **ADC** Warranty Department or the **ADC** Service Department at (508) 678-9000.

**IMPORTANT:** A separate warranty card *must be* completed and returned for each individual dryer.

**NOTE:** Be sure to include the installation date when returning the warranty card(s).

### B. WARRANTY

For a copy of the **ADC** commercial warranty covering your particular dryer(s), contact the **ADC** reseller from whom you purchased the equipment and request a dryer warranty form. If the reseller **cannot** be contacted or is unknown, warranty information can be obtained from the factory by contacting the **ADC** Warranty Department at (508) 678-9000.

**NOTE:** Whenever contacting the **ADC** factory for warranty information, be sure to have the dryer's **model number** and **serial number** available so that your inquiry can be handled in an expeditious manner.

### C. RETURNING WARRANTY PARTS

**ALL** dryer or parts warranty claims or inquires **should be** addressed to the **ADC** Warranty Parts Department. To expedite processing, the following procedures **must be** followed:

1. No parts are to be returned to **ADC** without prior written authorization (“Return Material Authorization” [R.M.A.]) from the factory.

**NOTE:** An R.M.A. is valid for only thirty (30) days from date of issue.

- a. The R.M.A. issued by the factory, as well as any other correspondence pertaining to the returned part(s), **must be** included inside the package with the failed merchandise.

2. Each part **must be** tagged with the following information:
  - a. **Model number** and **serial number** of the dryer from which part was removed.
  - b. Nature of failure (be specific).
  - c. Date of dryer installation.
  - d. Date of part failure.
  - e. Specify whether the part(s) being returned is for a replacement, a credit, or a refund.

**NOTE:** If a part is marked for a credit or a refund, the invoice number covering the purchase of the replacement part **must be** provided.

**NOTE:** Warranty tags (ADC Part No. 450064) are available at “no charge” from ADC upon request.

3. The company returning the part(s) must clearly note the complete company name and address on the outside of the package.
4. **ALL** returns **must be** properly packaged to insure that they are not damaged in transit. *Damage claims are the responsibility of the shipper.*

**IMPORTANT:** No replacements, credits, or refunds **will be** issued for merchandise damaged in transit.

5. **ALL** returns **should be** shipped to the ADC factory in such a manner that they are insured and a proof of delivery can be obtained by the sender.
6. **Shipping charges are not the responsibility of ADC. ALL returns should be “prepaid” to the factory. Any “C.O.D.” or “COLLECT” returns will not be accepted.**

**IMPORTANT:** No replacements, credits, or refunds **will be** issued if the claim **cannot** be processed due to insufficient information. The party filing the claim **will be** notified in writing, either by “FAX” or “CERTIFIED MAIL - Return Receipt Requested,” as to the information necessary to process claim. If reply **is not** received by the ADC Warranty Department within thirty (30) days from the FAX/letter date, then no replacements, credits, or refunds **will be** issued, and the merchandise **will be** discarded.

# SECTION VI

## ROUTINE MAINTENANCE

### A. CLEANING

A program and/or schedule **should be** established for periodic inspection, cleaning, and removal of lint from various areas of the dryer, as well as throughout the ductwork system. The frequency of cleaning can best be determined from experience at each location. Maximum operating efficiency is dependent upon proper air circulation. The accumulation of lint can restrict this airflow. If the guidelines in this section are met, an ADC dryer will provide many years of efficient, trouble-free, and most importantly safe operation.

**WARNING: LINT FROM MOST FABRICS IS HIGHLY COMBUSTIBLE. THE ACCUMULATION OF LINT CAN CREATE A POTENTIAL FIRE HAZARD.**

**WARNING: KEEP DRYER AREA CLEAR AND FREE FROM COMBUSTIBLE MATERIALS, GASOLINE, AND OTHER FLAMMABLE VAPORS AND LIQUIDS.**

**NOTE: REMOVE POWER FROM THE DRYER BEFORE PERFORMING ANY MAINTENANCE IN THE DRYER (cleaning the lint drawer is the only exception).**

**NOTE:** Suggested time intervals shown are for average usage which is considered six (6) to eight (8) operational (running) hours per day.

**IMPORTANT:** Dryer produces combustible lint and *must be* exhausted to the outdoors. Every 6 months, inspect the exhaust ducting and remove any lint build up.

**CLEAN LINT FROM LINT DRAWER/SCREEN EVERY THIRD OR FOURTH LOAD.**

**NOTE:** The frequency of cleaning the lint screens can best be determined from experience at each location.

#### ***WEEKLY***

Clean lint accumulation from the lint chamber, thermostat, and microprocessor temperature sensor (sensor bracket) area.

**WARNING: TO AVOID HAZARD OF ELECTRICAL SHOCK, DISCONTINUE ELECTRICAL POWER SUPPLY TO THE DRYER.**

## ***STEAM DRYERS***

Clean the steam coil fins. Compressed air and a vacuum cleaner with brush attachment are suggested.

**NOTE:** When cleaning steam coil fins, be careful not to bend the fins. If fins are bent, straighten by using a fin comb, which is available from any local air conditioning supply house.

### ***90 DAYS***

Remove lint from around basket (tumbler), drive motors, and surrounding areas. Remove lint from the gas valve burner area with a dusting brush or vacuum cleaner attachment.

Remove lint accumulation from inside the control box and at rear area behind the control box.

### ***6 MONTHS***

Inspect and remove lint accumulation in customer furnished exhaust ductwork system and from dryer's internal exhaust ducting.

**NOTE: THE ACCUMULATION OF LINT IN THE EXHAUST DUCTWORK CAN CREATE A POTENTIAL FIRE HAZARD.**

**NOTE: *DO NOT* OBSTRUCT THE FLOW OF COMBUSTION AND VENTILATION AIR. CHECK CUSTOMER FURNISHED BACK DRAFT DAMPERS IN THE EXHAUST DUCTWORK. INSPECT AND REMOVE ANY LINT ACCUMULATION, WHICH CAN CAUSE THE DAMPER TO BIND OR STICK.**

**NOTE:** A back draft damper that is sticking partially closed can result in slow drying and shutdown of the heat circuit safety switches or thermostats.

**NOTE:** When cleaning the dryer cabinet(s), avoid using harsh abrasives. A product intended for the cleaning of appliances is recommended.

Check **ALL** V-belts for tightness and wear. Retighten, realign, or replace V-belt if required.

**NOTE:** Replace in matched sets (both belts).

## B. ADJUSTMENTS

### *7 DAYS AFTER INSTALLATION AND EVERY 6 MONTHS THEREAFTER*

Inspect bolts, nuts, screws, (bearing setscrews), grounding connections, and nonpermanent gas connections (i.e., unions, shutoff valves, and orifices). Motor and drive belts **should be** examined. Cracked or seriously frayed belts **should be** replaced. Tighten loose V-belts when necessary. Complete operational check of controls and valves. Complete operational check of **ALL** safety devices (i.e., door switch, lint drawer switch, sail switch, burner and hi-limit thermostat).

## C. LUBRICATION

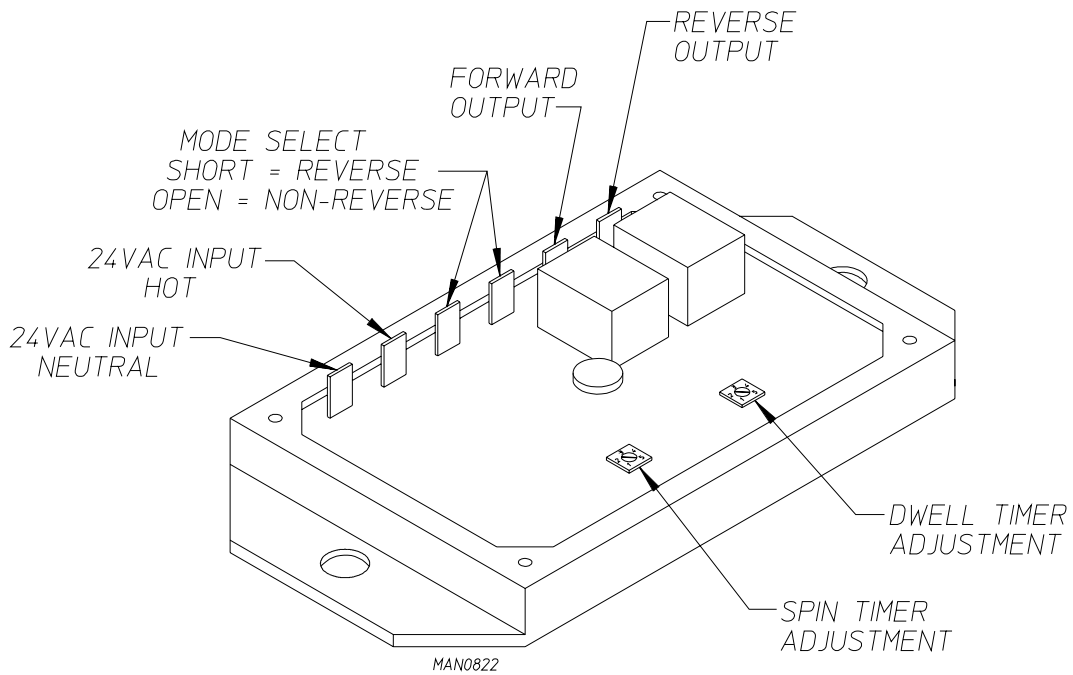
The drive shaft bearings and idler shaft bearings **should be** lubricated every 3 months. Use a #2 grease or its equivalent. Lubrication is necessary.

# SECTION VII

## REVERSING TIMER SPIN/DWELL ADJUSTMENTS

Timer models have an electronic reversing timer in the electrical service box, which is located in the upper left rear area of the dryer.

Both the dwell (stop) time and the basket (tumbler) spin time are adjustable by mode selection switches located on the electronic timer (as noted in the **illustration below**).



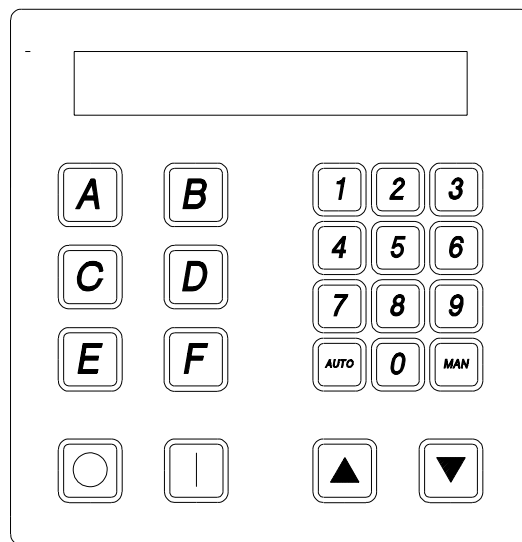
<b>TIMING LEGEND</b>					
<b>SPIN TIME</b>					
Adjustment Position Number	1	2	3	4	5
Time in Seconds*	30	60	90	120	150
<b>DWELL (STOP) TIME</b>					
Adjustment Position Number	1	2	3	4	5
Time in Seconds*	5	6.3	7.6	8.9	10.2
* Values shown are +/- 1-second.					

# SECTION VIII

## PROCEDURE FOR FUNCTIONAL CHECK OF REPLACEMENT COMPONENTS

### 1. Microprocessor Controller (Computer) Board

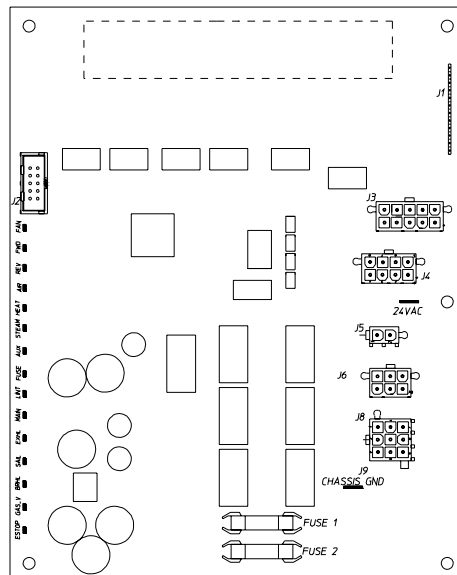
- a. Upon completing installation of the replacement microprocessor controller (computer) board, reestablish power to the dryer.
- b. Start the drying cycle by pressing any of the preset cycles in letters A-F.



MC 8/02/01

MAN5846

- c. Verify that the applicable indicator lights on the back side of the microprocessor controller (computer) board are lit. (Refer to the **illustration below.**)



MAN5825



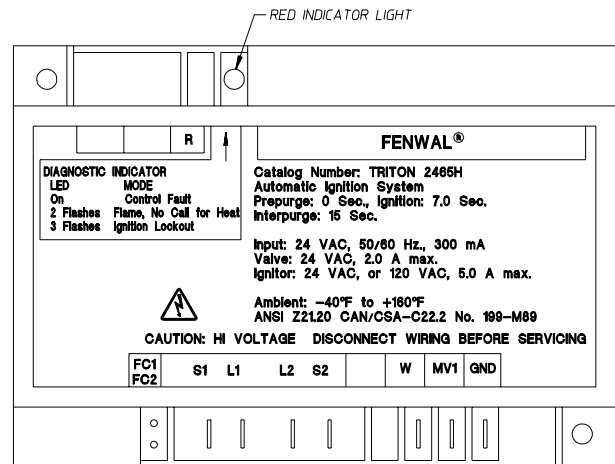
1. For Models With Hot Surface Ignition (HSI) Module (CE Version)

a. Upon completing installation of the replacement HSI module, reestablish power to the dryer.

b. The HSI module's "red" indicator light will light for up to approximately 5-seconds (self check routine). If the HSI module's "red" indicator light stays on or flashes continuously, then the HSI module is wired incorrectly or has failed.

c. Start the drying cycle.

d. The HSI will turn on, and after approximately 4-seconds, the ignitor will shut off and the gas valve will be energized. Ignition (flame) **should now be** established.



e. With the burner flame on, remove the flame sensor wire from the S2 terminal of the HSI module. The burner flame must shut off immediately.

f. Stop the drying cycle, with the flame sensor wire still removed, restart the drying cycle.

g. The HSI will turn on, and after a few seconds later, the gas valve will be energized and the HSI will shut off. Ignition (flame) **should be** evident for approximately 7-seconds and then shut off.

h. The HSI module will attempt to light burner only "once." If flame is not reestablished the HSI module will lockout and the "red" indicator light will flash continuously.

i. Functional check of the HSI module is complete.

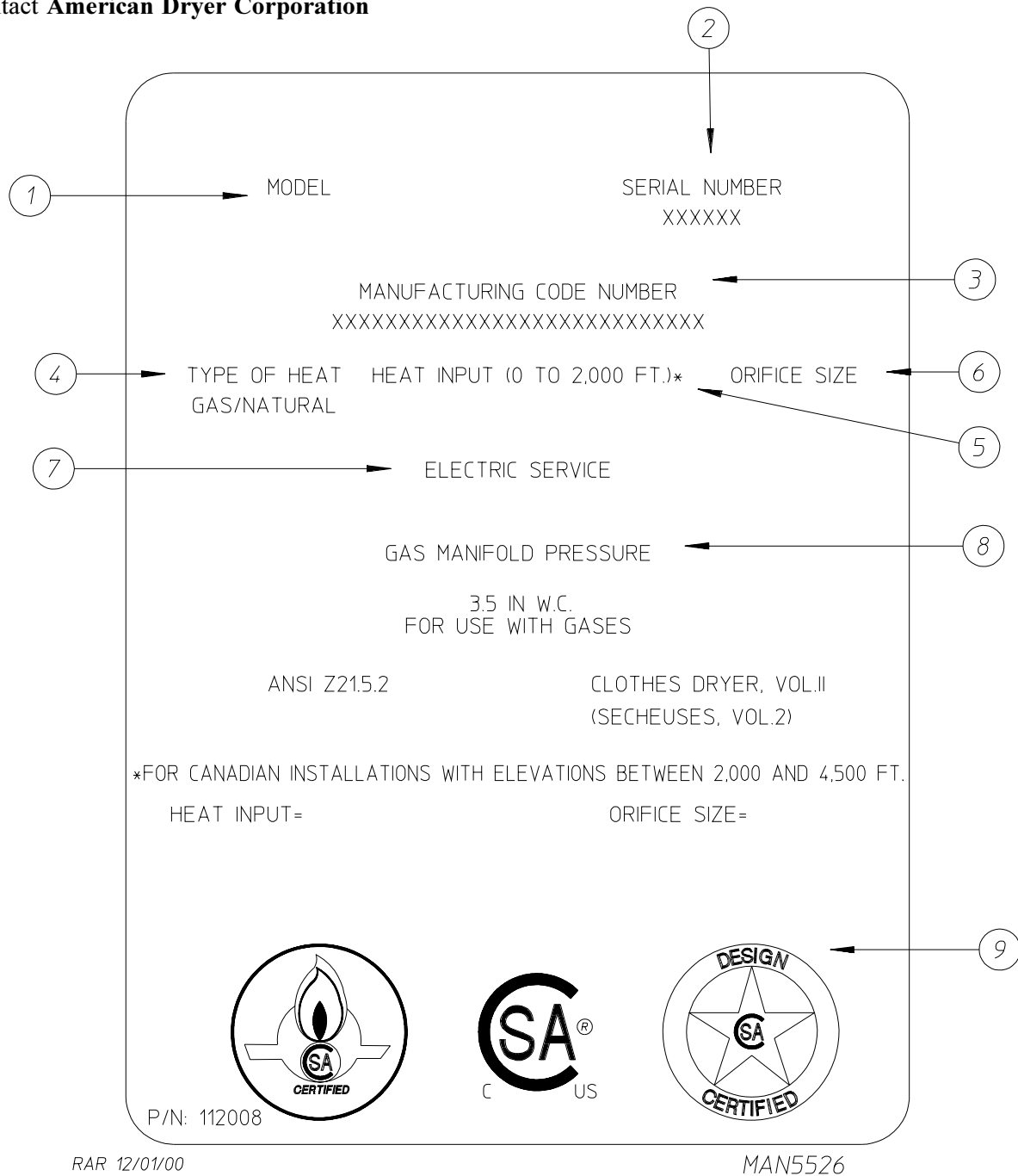
1) Replace the flame sensor wire from the S2 terminal to the HSI module.

# SECTION IX

## DATA LABEL INFORMATION

### A. DATA LABEL

Contact **American Dryer Corporation**



When contacting **American Dryer Corporation** certain information is required to insure proper service/parts information from **ADC**. This information is on the data label that is affixed to the left side panel area behind the top control (access) door. When contacting **ADC** please have the **model number** and **serial number** available.

## **THE DATA LABEL**

### **1. MODEL NUMBER**

The model number is an **ADC** number, which describes the size of the dryer and the type of heat (gas, electric, or steam).

### **2. SERIAL NUMBER**

The serial number allows **ADC** to gather information on your particular dryer.

### **3. MANUFACTURING CODE NUMBER**

The manufacturing code number is a number issued by **ADC**, which describes **ALL** possible options on your particular model.

### **4. TYPE OF HEAT**

This describes the type of heat for your particular dryer: gas (either natural gas or liquid propane [L.P.] gas) or steam.

### **5. HEAT INPUT (for GAS DRYERS)**

This describes the heat input in British Thermal Units per Hour (BTUH).

### **6. ORIFICE SIZE (for GAS DRYERS)**

Gives the number drill size used.

### **7. ELECTRIC SERVICE**

This describes the electric service for your particular model.

### **8. GAS MANIFOLD PRESSURE (for GAS DRYERS)**

This describes the manifold pressure taken at the gas valve tap.

### **9. APPLICABLE APPROVAL SEAL(S)**

I.E., Canadian Standards Association International.

# SECTION X

## BURNER AND BASKET (TUMBLER)/LINT CHAMBER MANUAL RESET HI-LIMIT INSTRUCTIONS

### **IMPORTANT**

#### **MANUAL RESET HI-LIMIT INSTRUCTIONS**

##### FOR PHASE 7 MODELS

This dryer was manufactured with a manual reset burner hi-limit and basket (tumbler)/lint chamber hi-limit thermostat which is monitored by the Phase 7 computer. If the burner is open prior to start of the drying cycle, the dryer will start momentarily and then shut down, the Phase 7 computer will display “BURNER HIGH LIMIT FAULT” with an audio indication. If the basket (tumbler)/lint chamber hi-limit thermostat is open prior to start, the display will read “EXHAUST HIGH LIMIT FAULT” with an audio indication as well.

If either manual reset hi-limit thermostat opens during a drying cycle, the display will show the applicable error code described above, along with an audio indication. If the drum temperature is above 100° F (38° C), the dryer will continue to run with no heat for 3 minutes or until the drum temperature has dropped below 100° F (38° C). The clear/stop button on the Phase 7 keyboard (touch pad) **must be** pressed to clear the error condition. The open manual reset hi-limit thermostat **must be** reset “manually” prior to the start of the next cycle.

This hi-temperature condition may be caused due to a restricted exhaust, poor airflow, or improper burner operation.

The location of the burner hi-limit is on the right side of the burner box and the basket (tumbler) hi-limit is located in the lint chamber area.

**WARNING:** Discontinue power to dryer before attempting to reset hi-limit.

### **IMPORTANT**

This dryer is equipped with a burner hi-limit and tumbler/lint chamber hi-limit thermostat which must be reset manually.

**WARNING:** Discontinue power to dryer before attempting to reset hi-limit.

ADC P/N:114093

## (FOR DUAL TIMER MODELS)

This dryer was manufactured with a burner manual reset hi-limit (gas models only) and basket (tumbler)/lint chamber hi-limit thermostat, which is monitored by the Phase 6 computer. If either manual reset thermostat is open prior to start of the drying cycle, the dryer will start momentarily and then shut down, the Phase 6 computer will display an error code with an audio indication. If the basket (tumbler)/lint chamber hi-limit thermostat is open, the display will read “dRUM SAFETY FAIL.” If the burner hi-limit thermostat is open, the display will read “bURNER SAFETY FAIL.”

If either manual reset hi-limit thermostat opens during a drying cycle, the display will show the applicable error code described above along with an audio indication. If the drum temperature is above 100° F (38° C), the dryer will continue to run with no heat for 3 minutes or until the drum temperature has flattened below 100° F (38° C). The clear/stop button on the Phase 7 keyboard (touch pad) **must be** pressed to clear the error condition. The open manual reset hi-limit thermostat **must be** reset “manually” prior to the start of the next cycle.

This hi-temperature condition may be caused due to a restricted exhaust, poor airflow, or improper burner operation.

The location of the burner hi-limit is on the right side of the burner box and the basket (tumbler) hi-limit is located in the lint chamber area.

**WARNING:** Discontinue power to dryer before attempting to reset hi-limit.

### IMPORTANT

This dryer is equipped with a burner hi-limit and tumbler/lint chamber hi-limit thermostat which **must be** reset manually.

**WARNING:** Discontinue power to dryer before attempting to reset hi-limit.

ADC P/N:114093

